

# DSA Master Crafted Doors

## Complete Collection, Single and Double Doors, Inswing

### INSTALLATION ANCHORAGE DETAILS

**GENERAL NOTES:**

1. THIS PRODUCT IS DESIGNED TO COMPLY WITH THE CURRENT EDITION OF THE FLORIDA BUILDING CODE - BUILDING AND RESIDENTIAL REQUIREMENTS INCLUDING THE HIGH VELOCITY HURRICANE ZONE (HVHZ) AT THE DESIGN PRESSURE(S) STATED HEREIN. THE PRODUCT DETAILS CONTAINED HEREIN ARE BASED UPON SIGNED AND SEALED TEST REPORT NO. ATLNC 0624.01-19 DATED 5/13/20 AND ASSOCIATED LABORATORY STAMPED DRAWINGS, SIGNED AND SEALED BY DAVID WESLEY JOHNSON, FL PE NO. 61915. TESTING WAS PERFORMED TO THE FOLLOWING:
  - 1.1. ASTM E330-02, ASTM E331-00, ASTM E283-04
  - 1.2. TAS 201-94, TAS 202-94 AND TAS 203-94
2. ADEQUACY OF THE EXISTING STRUCTURAL CONCRETE / MASONRY AND 2X FRAMING AS A MAIN WIND FORCE RESISTING SYSTEM CAPABLE OF WITHSTANDING AND TRANSFERRING APPLIED PRODUCT LOADS TO THE STRUCTURE IS THE RESPONSIBILITY OF THE ARCHITECT OR ENGINEER OF RECORD.
3. 1X AND 2X BUCKS (WHEN USED) SHALL BE DESIGNED AND ANCHORED TO PROPERLY TRANSFER ALL LOADS TO THE STRUCTURE. BUCK DESIGN AND INSTALLATION IS THE RESPONSIBILITY OF THE ARCHITECT OR ENGINEER OF RECORD.
4. IN AREAS WHERE WIND-BORNE DEBRIS PROTECTION REQUIREMENTS EXIST, USE OF AN APPROVED IMPACT PROTECTIVE SYSTEM IS NOT REQUIRED WITH THIS PRODUCT.
5. DOOR FRAME AND PANEL MATERIAL: MAHOGANY, KNOTTY-ALDER, AND ACCOYA
6. GLAZING: 1" OVERALL THICKNESS: 5/32" TEMPERED, AIR SPACE (XL EDGE SPACER), 5/16" LAMINATED (1/8" ANNEALED x KURARAY AMERICA 0.090 SG INTERLAYER x 1/8" ANNEALED). GLAZED USING DOW 995 STRUCTURAL ADHESIVE GRADE SEALANT.
  - 6.1. GLASS MEETS THE REQUIREMENTS OF ASTM E1300-12AE1 & ANSI Z97.1-2014.
7. SITE CONDITIONS THAT DEVIATE FROM THE DETAILS OF THIS DRAWING REQUIRE FURTHER ENGINEERING EVALUATION BY A LICENSED ENGINEER OR REGISTERED ARCHITECT.
8. DESIGNATIONS "X" AND "O" (WHERE APPLICABLE) STAND FOR THE FOLLOWING:
  - 8.1. X: OPERABLE PANEL
  - 8.2. O: FIXED PANEL
9. HARDWARE (AS-TESTED; SUBSTITUTIONS ALLOWED PER FBC REQUIREMENTS):
  - 9.1. MULTI-POINT LOCK AND HANDLES BY ASHLAND HARDWARE; MODEL V-5100-560.
  - 9.2. HINGES: (10) STEEL 4-1/2" X 4-1/2" BALL BEARING HINGES BY PHILADELPHIA HARDWARE.
  - 9.3. THRESHOLD: HYDROSILL 2200 SERIES FOR INSWING BY SHLEGEL
10. INTERIOR AND EXTERIOR FINISHING AND PERIMETER SEALING ARE FOR ILLUSTRATIVE PURPOSES ONLY. THESE DRAWINGS CERTIFY THE DOOR INSTALLATION ONLY. WATER SEALING OF THE INSTALLED DOOR IS NOT PART OF THIS INSTALLATION CERTIFICATION. WATER SEALING SHALL BE THE RESPONSIBILITY OF THE INSTALLER.
  - 10.1. PERIMETER AND JOINT SEALANT BY OTHERS TO BE DESIGNED IN ACCORDANCE WITH THE FBC RESIDENTIAL AND BUILDING AND WITH FMA/AAMA/WDMA PROTOCOLS OR AS RECOMMENDED BY THE MANUFACTURER.

**INSTALLATION NOTES:**

1. INSTALLATION ANCHORAGE SHALL BE LOCATED AS SHOWN IN THE FOLLOWING ELEVATION VIEWS.
  - 1.1. 2X WOOD FRAMING OR BUCKING SUBSTRATES SHOWN ON SHEET 3
  - 1.2. CONCRETE AND MASONRY SUBSTRATES AS SHOWN ON SHEET 4.
2. SPECIFIC INSTALLATION DETAILS ARE SHOWN ON THE FOLLOWING SHEETS.
  - 2.1. 2X WOOD FRAMING OR BUCKING AT HEAD, SILLS OR JAMBS
    - 2.1.1. SEE DETAILS ON SHEET 6 FOR HEAD AND SILL INSTALLATION ANCHORAGE REQUIREMENTS.
    - 2.1.2. SEE DETAILS ON SHEET 7 FOR JAMB INSTALLATION ANCHORAGE REQUIREMENTS.
  - 2.2. CONCRETE OR MASONRY AT HEAD, SILLS OR JAMBS (OPTIONAL 1X WOOD BUCK ALLOWED)
    - 2.1.1. SEE DETAILS ON SHEET 8 FOR HEAD AND SILL INSTALLATION ANCHORAGE REQUIREMENTS.
    - 2.1.2. SEE DETAILS ON SHEET 9 FOR JAMB INSTALLATION ANCHORAGE REQUIREMENTS.
3. VERTICAL AND HORIZONTAL SECTION VIEWS ARE SHOWN ON THE FOLLOWING SHEETS.
  - 3.1. 2X WOOD FRAMING OR BUCKING AT HEAD, SILLS OR JAMBS
    - 3.1.1. SEE DETAILS ON SHEET 11 FOR VERTICAL SECTION VIEWS OF HEAD AND SILL.
    - 3.1.2. SEE DETAILS ON SHEET 12 FOR HORIZONTAL SECTION VIEWS OF JAMBS.
  - 3.2. CONCRETE OR MASONRY AT HEAD, SILLS OR JAMBS (OPTIONAL 1X WOOD BUCK ALLOWED)
    - 3.1.1. SEE DETAILS ON SHEET 13 FOR VERTICAL SECTION VIEWS OF HEAD AND SILL.
    - 3.1.2. SEE DETAILS ON SHEET 14 FOR HORIZONTAL SECTION VIEWS OF JAMBS.
4. INSTALLATION SCREW (ANCHORAGE) SPECIFICATION
  - 4.1. NO. 14 WOOD SCREWS.
    - 4.1.1. WOOD SCREWS SHALL MEET ANSI B18.6.1 AND BE A MINIMUM GRADE 2 STRENGTH
    - 4.1.2. MINIMUM EMBEDMENT IS 1-1/2". WOOD SCREW LENGTHS CAN BE VARIED IF NEEDED AS LONG AS MINIMUM EMBEDMENT IS MAINTAINED. THIS REQUIREMENT APPLICABLE TO SUBSTRATE EMBEDDED SCREWS ONLY.
    - 4.1.3. MINIMUM EDGE DISTANCE AND SPACING BETWEEN SCREW IS 1".
  - 4.2. 1/4" DIAMETER ELCO ULTRACON CONCRETE SCREWS
    - 4.2.1. MINIMUM EMBEDMENT IS 1-3/4" IN CONCRETE AND 1-1/4" IN MASONRY (CMU).
    - 4.2.2. MINIMUM EDGE DISTANCE IS 2-1/2".
    - 4.2.3. MINIMUM SPACING BETWEEN SCREWS IS 4".
      - 4.2.3.1. EXCEPTION: HINGE ANCHORAGE AS SHOWN ON SHEET 9, DETAIL10 HAS BEEN ACCOUNTED FOR. THE 3.39" SPACING BETWEEN ANCHORS IS ACCEPTABLE.
5. THE NUMBER OF INSTALLATION ANCHORS DEPICTED IS THE MINIMUM NUMBER OF ANCHORS TO BE USED FOR PRODUCT INSTALLATION AT THE MAXIMUM UNIT SIZE SHOWN. SMALLER UNIT SIZES CAN HAVE LESS ANCHORS AS LONG AS THE EDGE DISTANCE AND ON CENTER (O.C.) SPACING ARE THE SAME AS OR LESS THAN THAT SHOWN. INSTALLATION ANCHORS AT THE STRIKE PLATES AND HINGES SHALL REMAIN THE SAME.
6. SHIM AS REQUIRED AT EACH INSTALLATION ANCHOR WITH LOAD BEARING SHIM(S). MAXIMUM ALLOWABLE SHIM SIZE IS 1/4 INCH. SHIM WHERE SPACE OF 1/16 INCH OR GREATER OCCURS. SHIM(S) SHALL BE CONSTRUCTED OF HIGH DENSITY PLASTIC OR BETTER. SHIMS MAY NOT BE SHOWN IN THE SECTION VIEWS OF THIS DRAWING FOR CLARITY
7. MINIMUM EMBEDMENT AND EDGE DISTANCE EXCLUDE WALL FINISHES (INCLUDING BUT NOT LIMITED TO STUCCO, FOAM, BRICK VENEER AND SIDING).
8. SINGLE DOOR IS APPROVED AND SHALL BE INSTALLED IN A MANNER IN COMPLIANCE WITH THE REQUIREMENTS OF THIS PRODUCT APPROVAL DOCUMENT.

TABLE OF CONTENTS	
SHEET	DESCRIPTION
1	NOTES - GENERAL & INSTALLATION
2	ELEVATION XX
3	ELEVATION - ANCHOR LAYOUT - WOOD INSTALLATION
4	ELEVATION - ANCHOR LAYOUT - CONCRETE/MASONRY INSTALLATION
5	ELEVATIONS - HINGES & BRICK MOULD
6	WOOD INSTALLATION - DETAILS 1 THRU 6
7	WOOD INSTALLATION - DETAILS 7 THRU 11
8	CONCRETE INSTALLATION - DETAILS 1 THRU 6
9	CONCRETE/MASONRY INSTALLATION - DETAILS 7 THRU 11
10	DETAILS - MISCELLANEOUS
11	SECTIONS - VERTICAL - WOOD INSTALLATION
12	SECTIONS - HORIZONTAL - WOOD INSTALLATION
13	SECTIONS - VERTICAL - CONCRETE INSTALLATION
14	SECTIONS - HORIZONTAL - CONCRETE/MASONRY INSTALLATION
15	MULTIPOINT LOCK LAYOUT
16	PANEL CONSTRUCTION - MULTIPOINT LOCK DETAIL
17 THRU 19	APPROVED CONFIGURATIONS

PERFORMANCE RATING			
MAXIMUM UNIT DIMENSIONS	DESIGN PRESSURE RATING (PSF)	WATER PENETRATION RATING	IMPACT RATING
76" X 123-1/16" XX INSWING	±70.0	SEE NOTE 1 & 2	HVHZ LARGE MISSILE IMPACT
	+19.5 / -70	SEE NOTE 1 & 3	
NOTE 1: PRODUCT TESTED FOR LIMITED WATER PENETRATION RESISTANCE AT 19.5 PSF POSITIVE DESIGN PRESSURE. NOTE 2: THE PRODUCT MUST BE USED WHERE WATER PENETRATION IS NOT REQUIRED OR WHERE AN OVERHANG MEETING THE REQUIREMENTS OF THE CURRENT EDITION OF THE FLORIDA BUILDING AND RESIDENTIAL CODES HAS BEEN EMPLOYED. NOTE 3: WHERE DP REQUIREMENTS DO NOT EXCEED +19.5/-70 PSF, THE PRODUCT CAN BE USED WITHOUT OVERHANG.			

**PROJECT #420-0601**

---

**DSA Master Crafted Doors**  
10681 World Trade Blvd  
Raleigh, NC 27617

---

**Complete Collection, Single and Double Doors, Inswing**  
NOTES - GENERAL & INSTALLATION

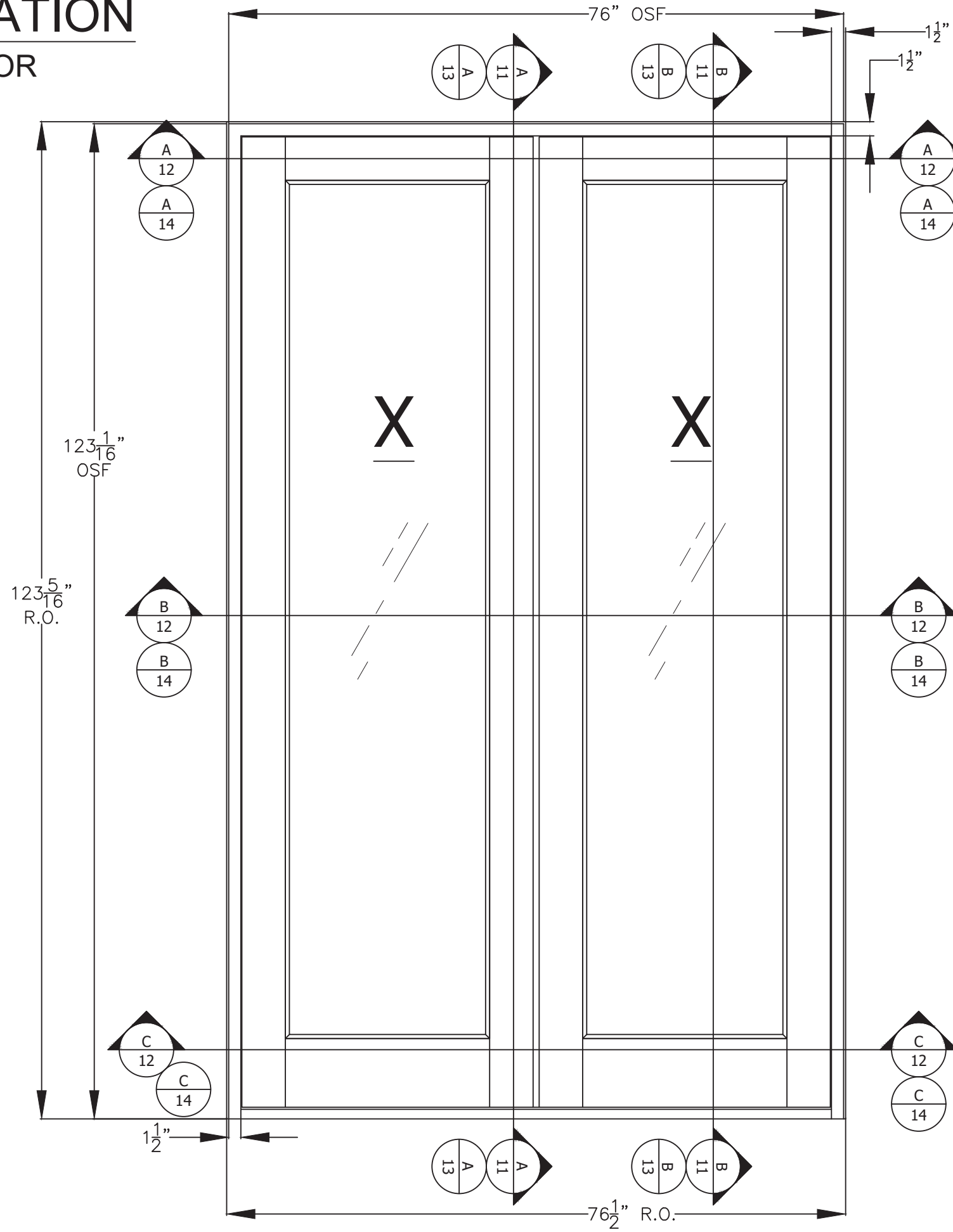
DRAWN BY:	RJA	DATE:	10/10/2020	REV:	---
SCALE:	N.T.S.	DRAWING NO.:	DSA0006	SHEET:	1 OF 19

PTC PRODUCT DESIGN GROUP, LLC  
10000 WOODBRIDGE BLVD  
LONGWOOD, FLORIDA 32752  
FBPE C.A. NO. 25695  
Phone: 321.690.1788  
Fax: 321.690.1789  
Email: info@ptc-corp.com

Robert J. Amoruso, P.E.  
Florida P.E. No. 49752

# XX ELEVATION

EXTERIOR



**PRODUCT LIMITATIONS:**

1. MAXIMUM OVERALL (O.A.) FRAME SIZE
  - 1.1. 76" X 123-1/16"
2. MAXIMUM PANEL SIZE
  - 2.1. 36" X 120"
3. MINIMUM PANEL THICKNESS
  - 3.1. 2-1/4" (NOMINAL)
4. MAXIMUM DAYLIGHT OPENING (D.L.O.) TDL
  - 4.1. MAXIMUM FULL VIEW LITE D.L.O. 24-1/4" X 105-5/8"

PROJECT #420-0601

REV	DESCRIPTION	DATE	BY

DSA Master Crafted Doors  
10681 World Trade Blvd  
Raleigh, NC 27617

TITLE: Complete Collection, Single and Double Doors, Inswing  
ELEVATION XX

PREPARED BY: [Signature]

DATE: 10/10/2020

DRAWN BY: RJA

SCALE: N.T.S.

DRAWING NO.: DSA0006

REV: ---

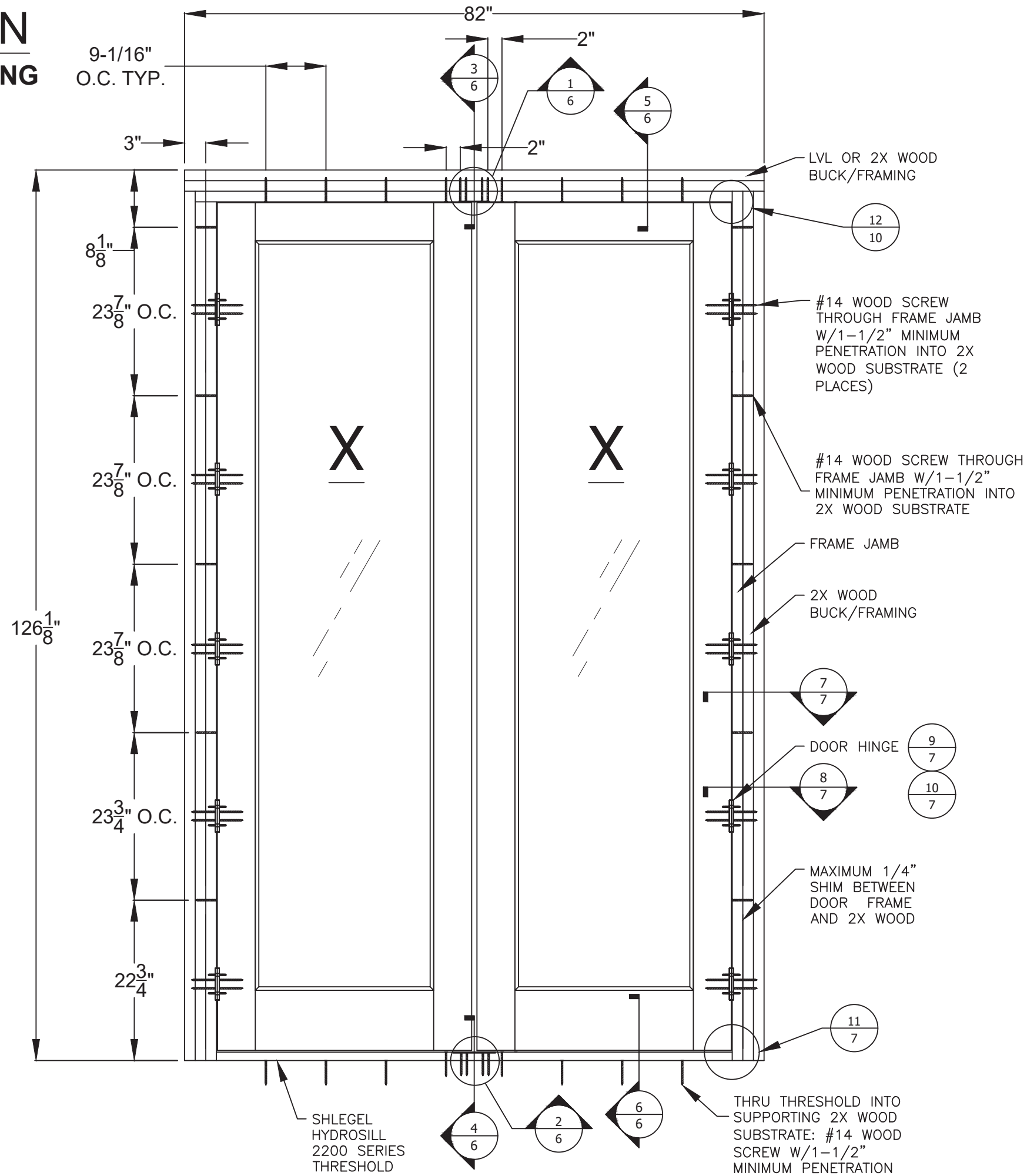
SHEET: 2 OF 19

PTC PRODUCT DESIGN GROUP, LLC  
3000 W. LONGWOOD BLVD.  
LONGWOOD, FLORIDA 32752  
Phone: 321.690.1788  
Fax: 321.690.1789  
Email: info@ptc-corp.com

Robert J. Amoruso, P.E.  
Florida P.E. No. 49752

# XX ELEVATION

## 2X WOOD BUCK/FRAMING INSTALLATION



PROJECT #420-0601

REV	DESCRIPTION	DATE	BY

DSA Master Crafted Doors  
10681 World Trade Blvd  
Raleigh, NC 27617

TITLE: Complete Collection, Single and Double Doors, Inswing  
ELEVATION - ANCHOR LAYOUT - WOOD

PREPARED BY: RJA  
DATE: 10/10/2020  
DRAWING NO.: DSA0006  
SCALE: N.T.S.  
SHEET: 3 OF 19

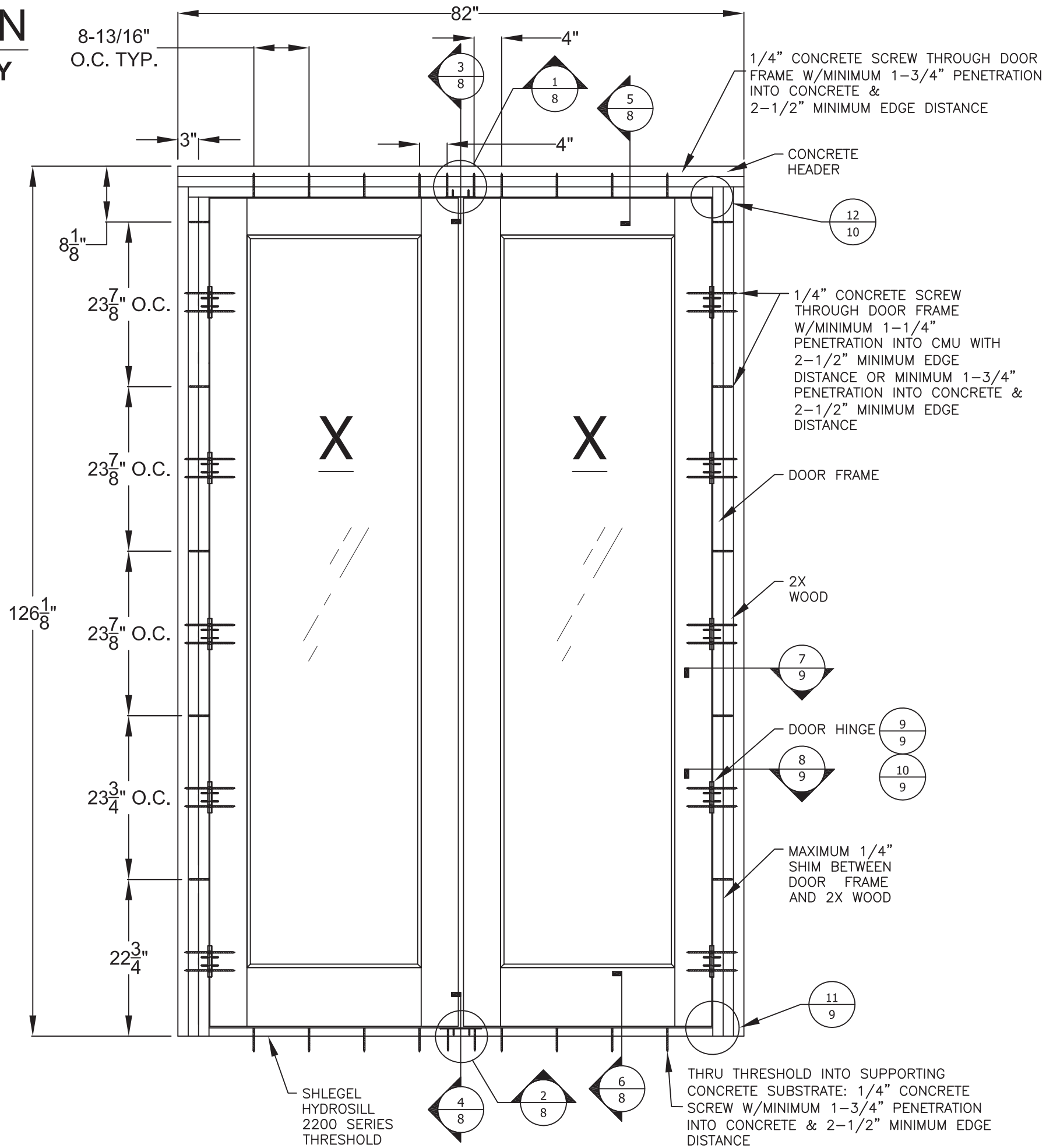
PTC PRODUCT DESIGN GROUP, LLC  
LONGWOOD, FLORIDA 32752  
PHONE: 321.690.1788  
FAX: 321.690.1789  
EMAIL: info@ptc-corp.com

Robert J. Amoruso, P.E.  
Florida P.E. No. 49752

10/14/2020

# XX ELEVATION

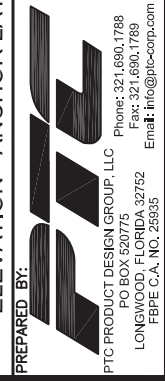
## CONCRETE/MASONRY INSTALLATION



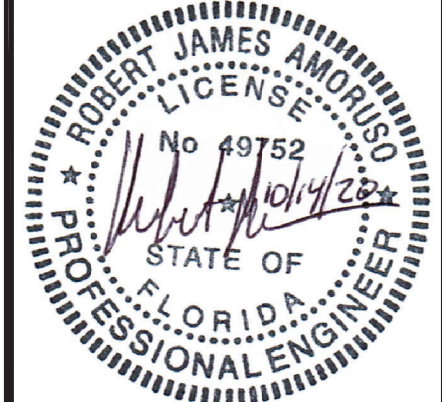
PROJECT #420-0601

DSA Master Crafted Doors  
10681 World Trade Blvd  
Raleigh, NC 27617

TITLE:	Complete Collection, Single and Double Doors, Inswing ELEVATION - ANCHOR LAYOUT - CONCRETE/MASONRY
DATE:	10/10/2020
DRAWING NO.:	DSA0006
SHEET:	4 OF 19
PREPARED BY:	RJA
SCALE:	N.T.S.
REV:	---



Robert J. Amoruso, P.E.  
Florida P.E. No. 49752

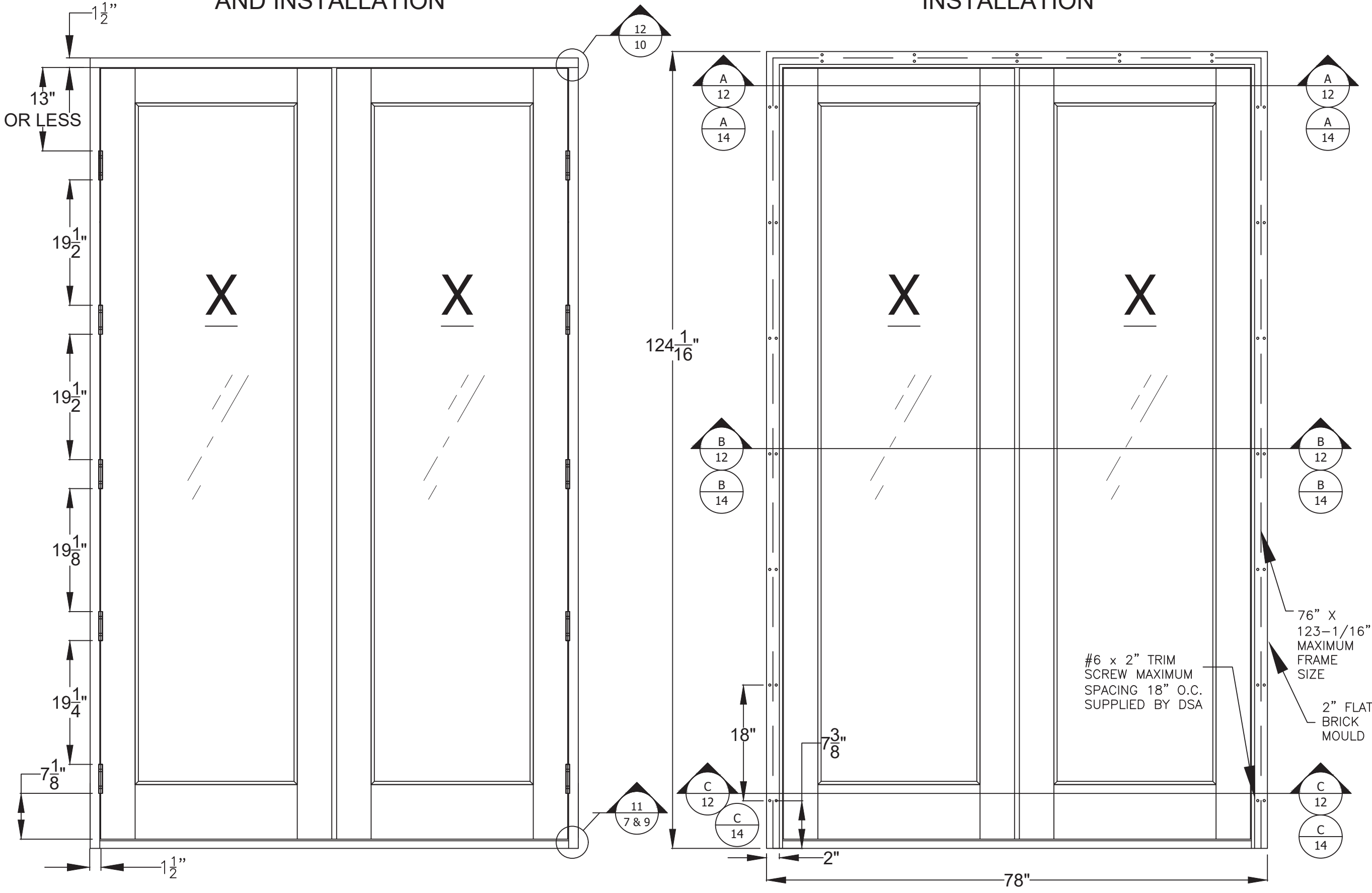


# ELEVATION

## XX HINGE LOCATION AND INSTALLATION

# ELEVATION

## XX BRICK MOULD INSTALLATION



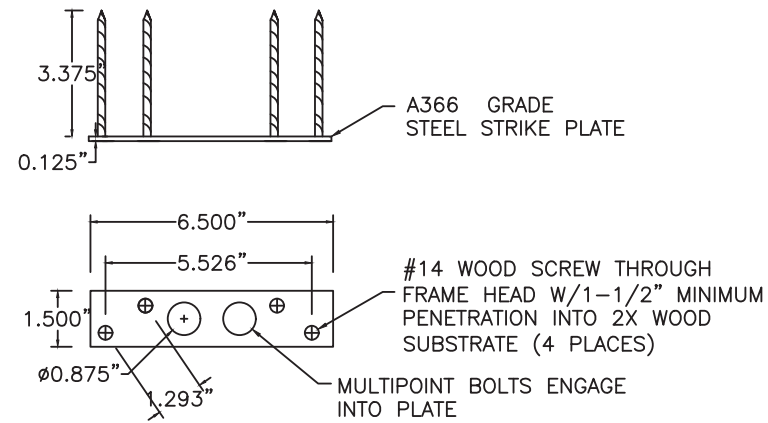
PROJECT #420-0601						

DSA Master Crafted Doors 10681 World Trade Blvd Raleigh, NC 27617			
TITLE: Complete Collection, Single and Double Doors, Inswing ELEVATIONS - HINGES & BRICK MOULD	DATE: 10/10/2020	DRAWING NO: DSA0006	REVISION: 5 OF 19
PREPARED BY: RJA	SCALE: N.T.S.	REV: ---	
PTC PRODUCT DESIGN GROUP, LLC LONGWOOD, FLORIDA 32752 FBPE C.A. NO. 29835	Phone: 321.690.1788 Fax: 321.690.1789 Email: info@ptc-corp.com		

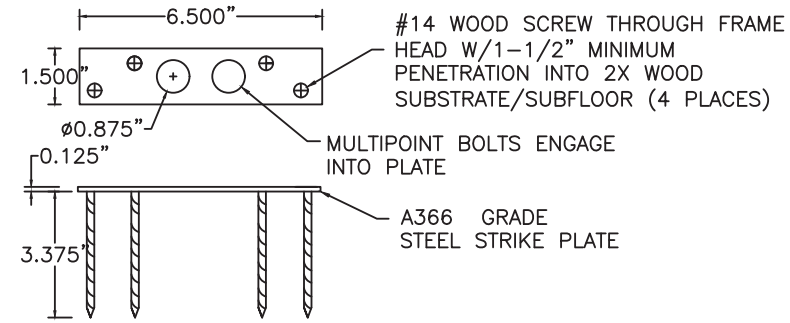
Robert J. Amoruso, P.E.  
Florida P.E. No. 49752

# DETAILS

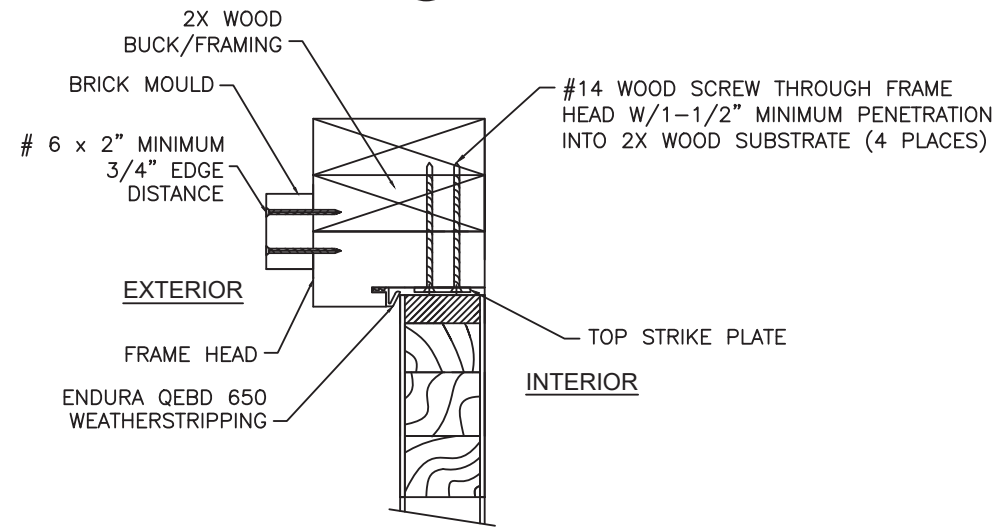
## 2X WOOD BUCK/FRAMING INSTALLATION



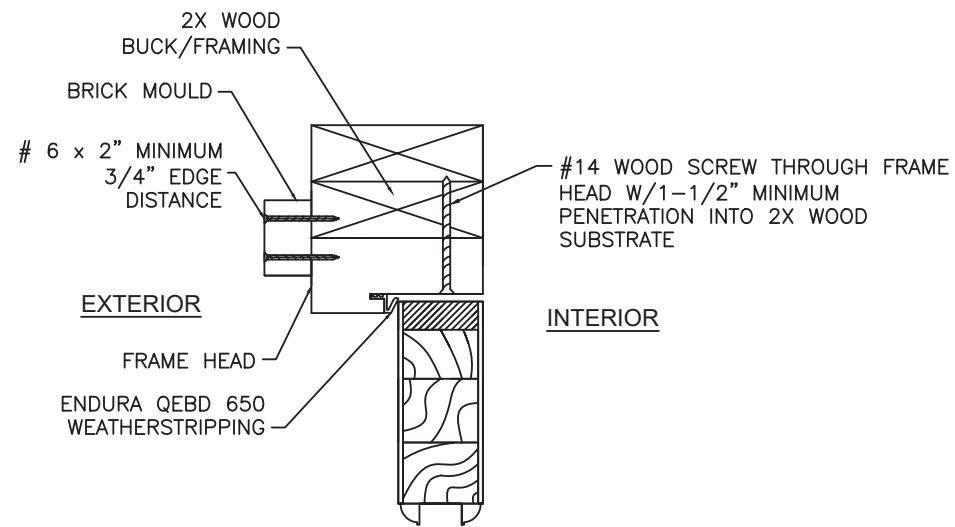
1 TOP STRIKE PLATE



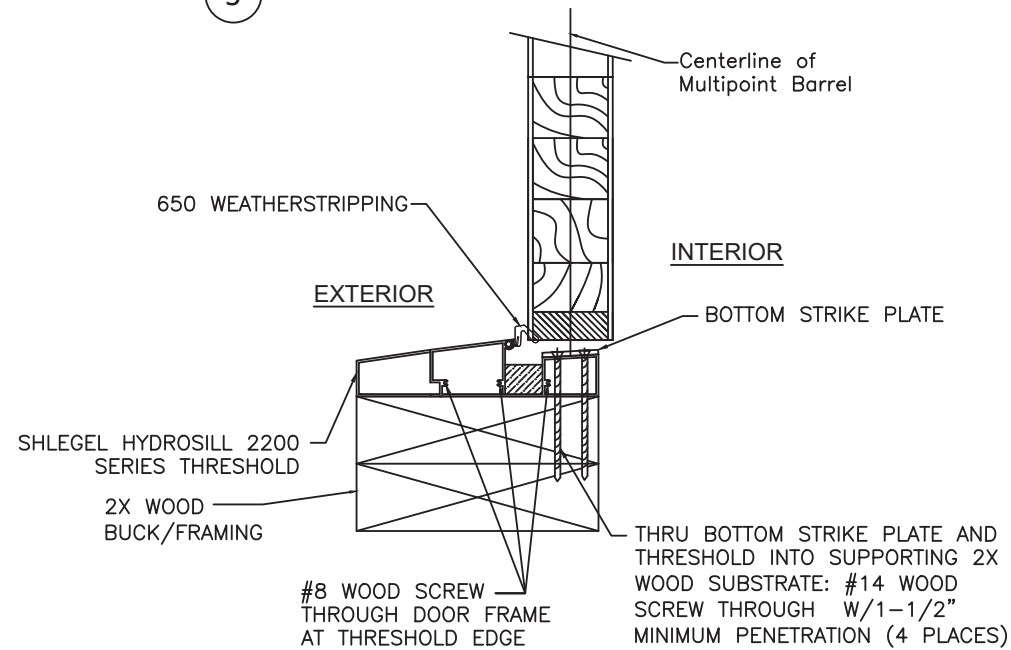
2 BOTTOM STRIKE PLATE



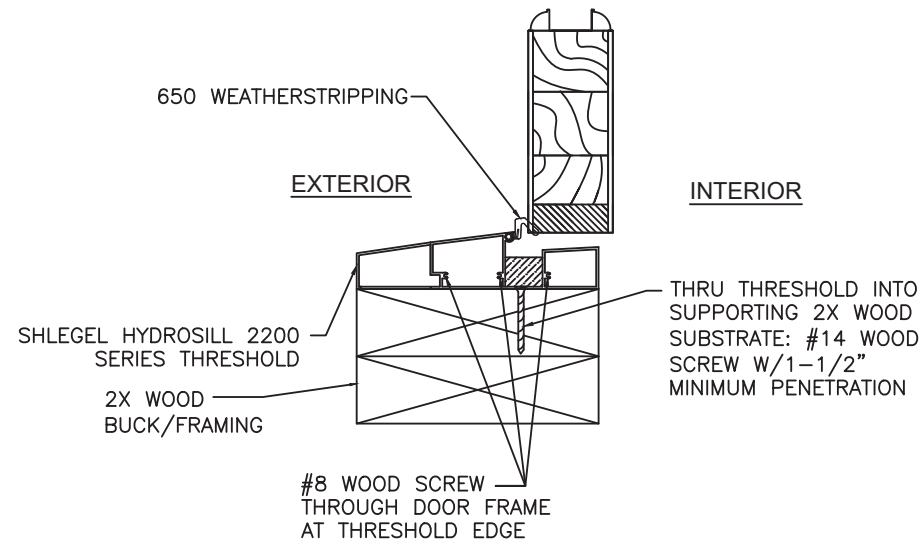
3 HEAD ANCHORAGE AT STRIKE PLATE



5 HEAD ANCHORAGE AT FRAME HEAD



4 THRESHOLD SECTION AT STRIKE PLATE



6 THRESHOLD SECTION AT SILL

PROJECT #420-0601

DSA Master Crafted Doors  
10681 World Trade Blvd  
Raleigh, NC 27617

TITLE: Complete Collection, Single and Double Doors, Inswing  
WOOD INSTALLATION - DETAILS 1 THRU 6

PREPARED BY: RJA

DATE: 10/10/2020

DRAWING NO.: DSA0006

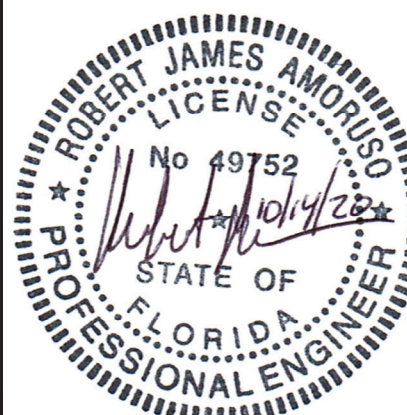
SCALE: N.T.S.

REV: ---

SHEET: 6 OF 19

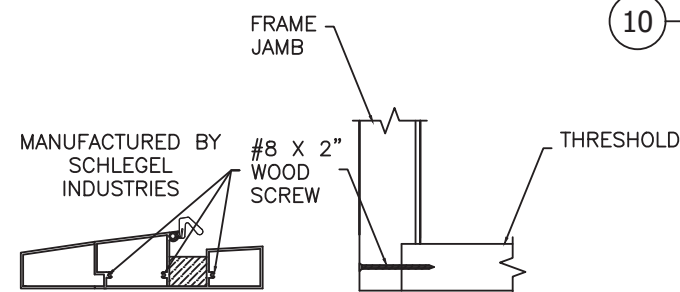
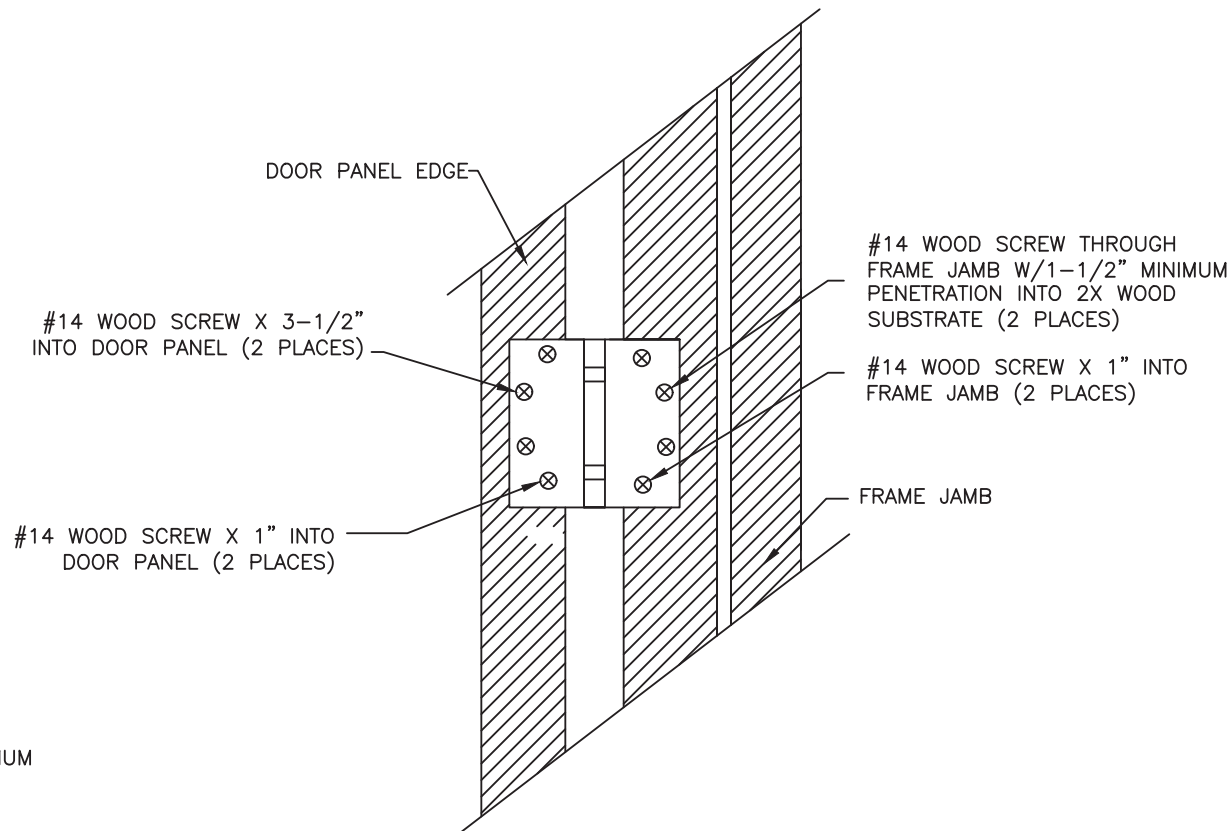
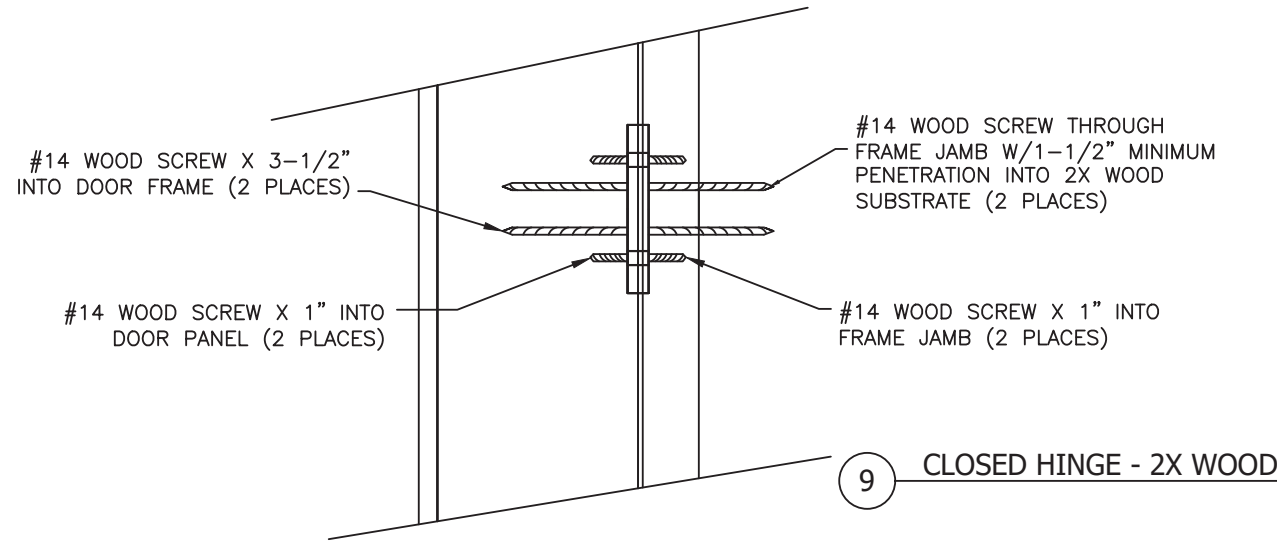
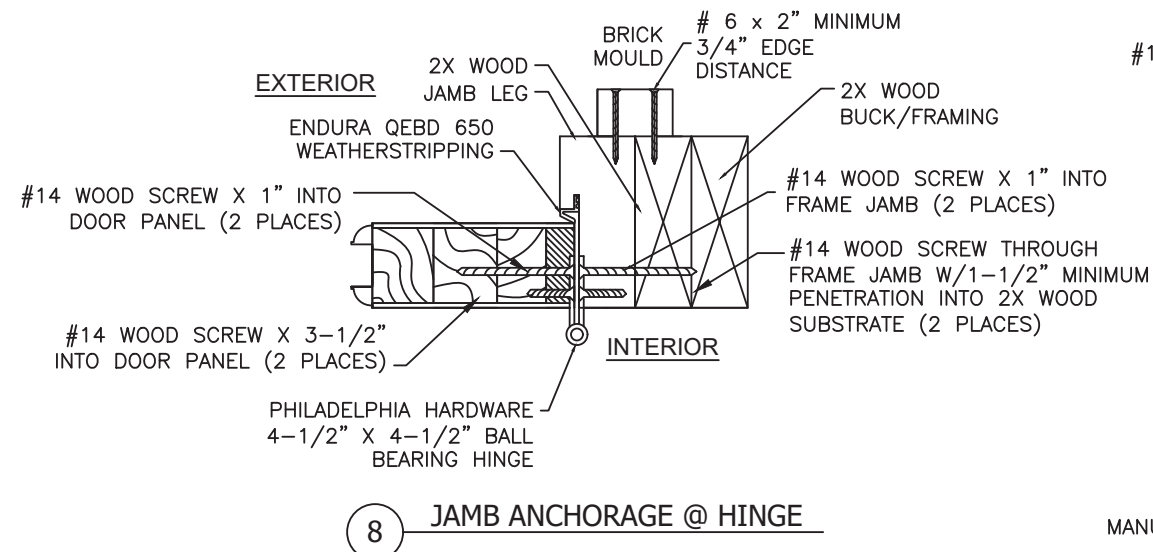
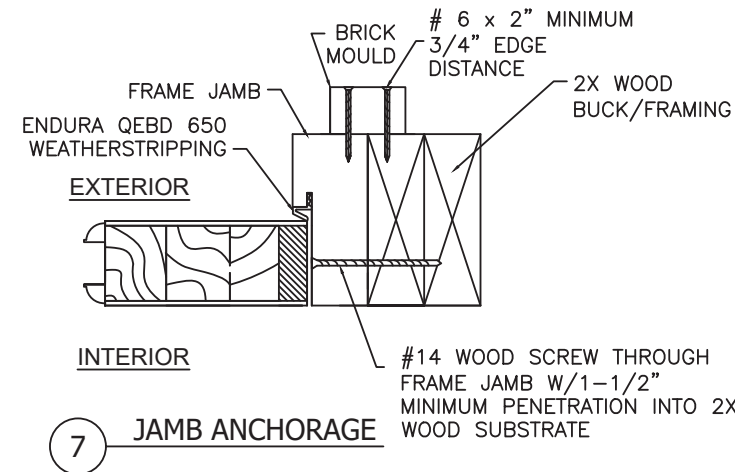


Robert J. Amoruso, P.E.  
Florida P.E. No. 49752



# DETAILS

## 2X WOOD BUCK/FRAMING INSTALLATION



PROJECT #420-0601

DSA Master Crafted Doors  
10681 World Trade Blvd  
Raleigh, NC 27617

TITLE: Complete Collection, Single and Double Doors, Inswing  
WOOD INSTALLATION - DETAILS 7 THRU 11

DATE: 10/10/2020

DRAWING NO: DSA0006

SHEET: 7 OF 19

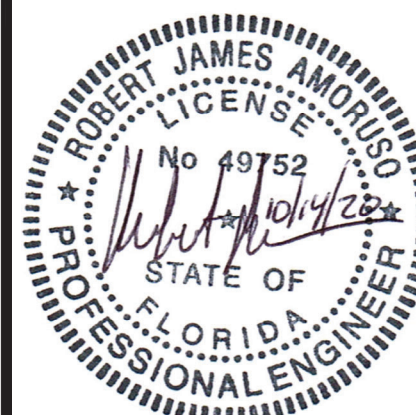
DRAWN BY: RJA

SCALE: N.T.S.

REV: ---



Robert J. Amoruso, P.E.  
Florida P.E. No. 49752

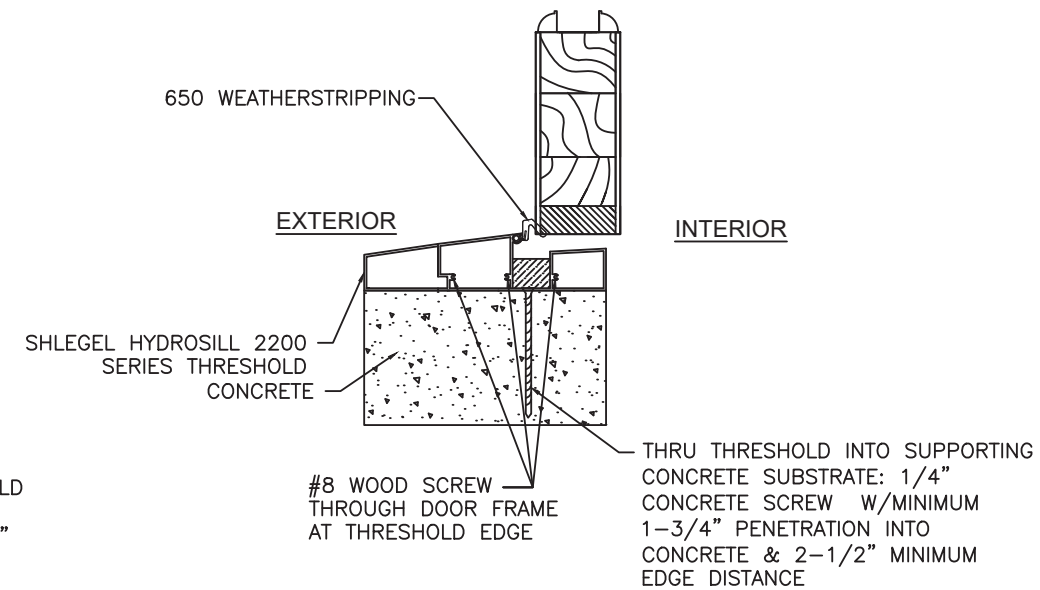
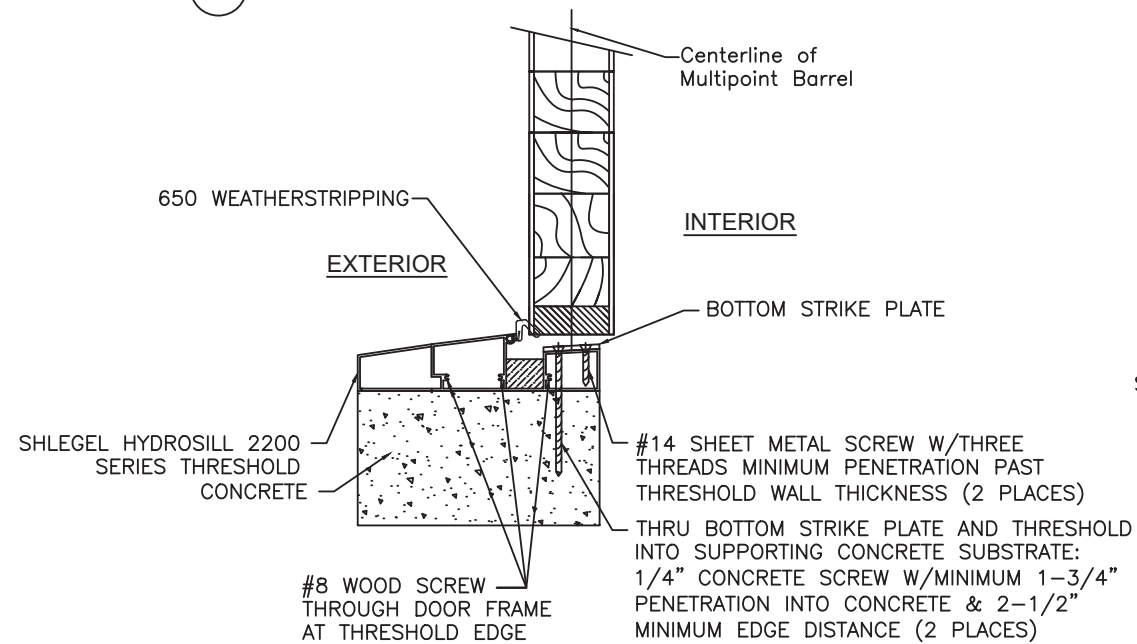
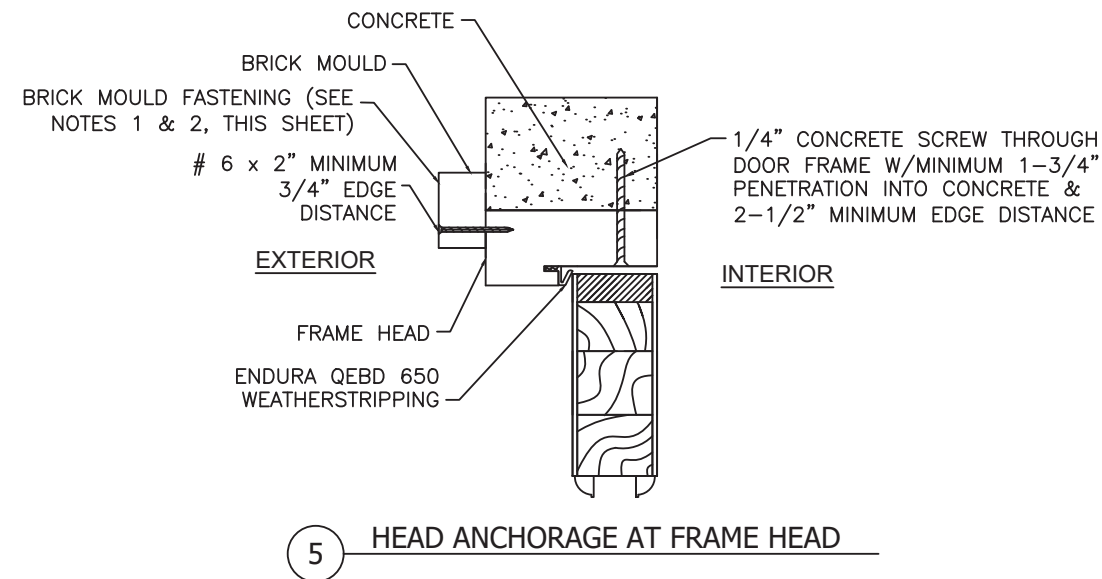
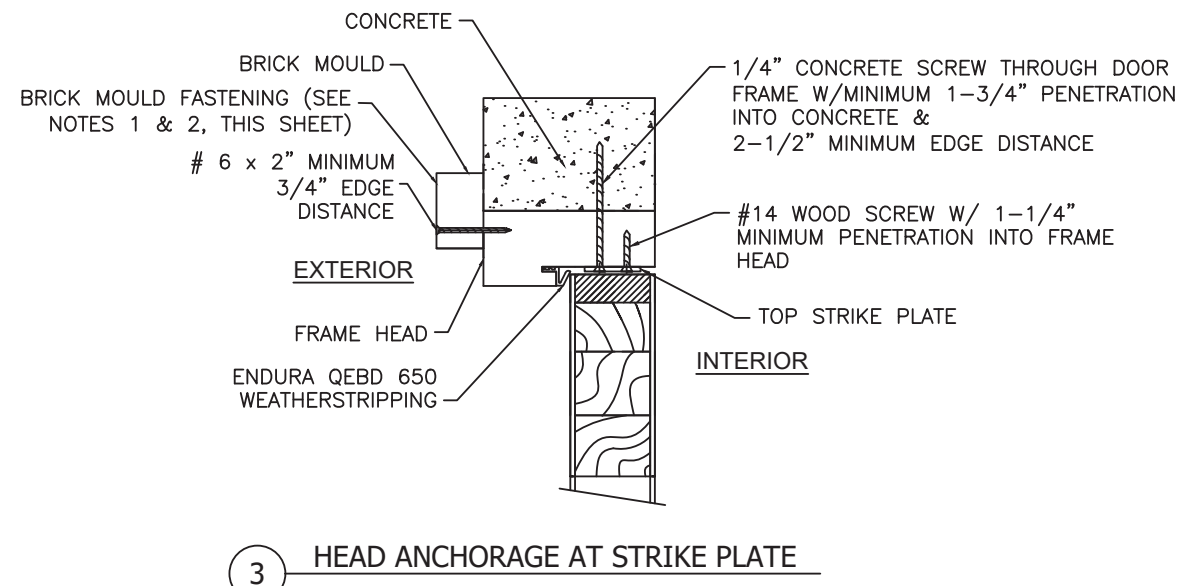
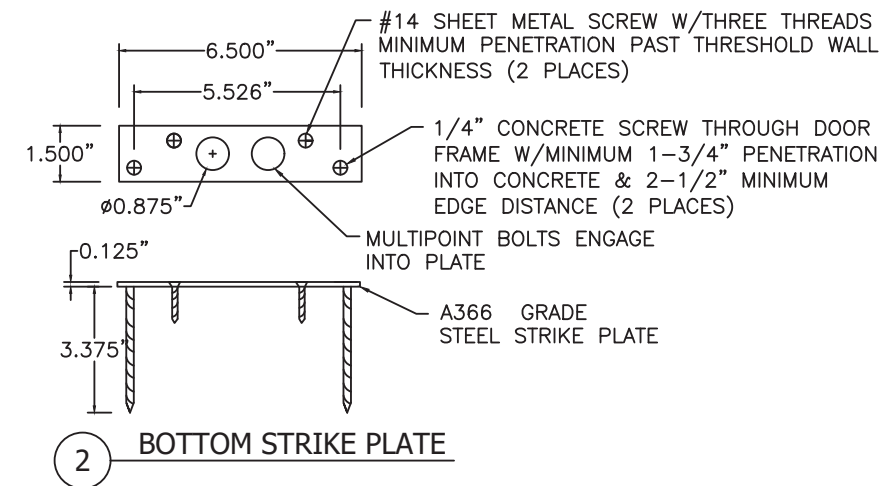
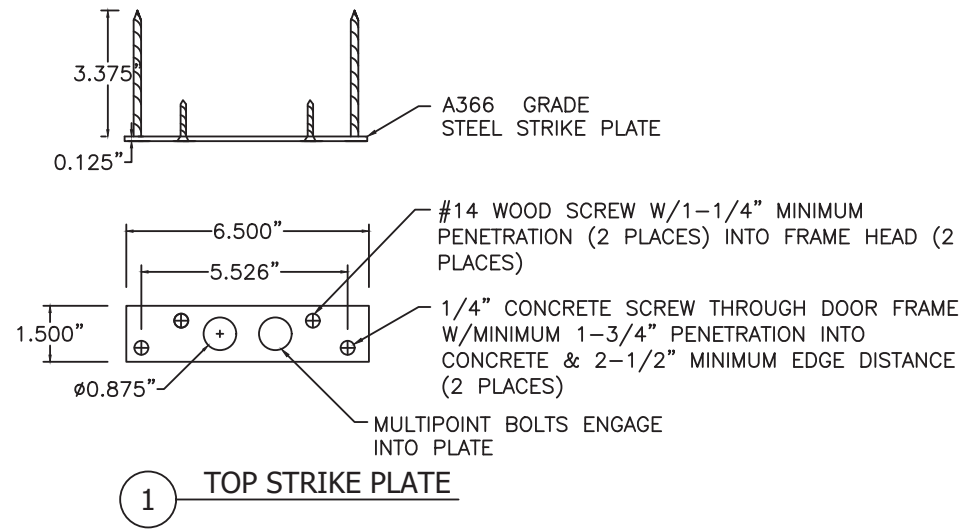


# DETAILS

## CONCRETE INSTALLATION

NOTES:

1. BRICK MOULD INSTALLATION SHALL USE NO. 6 WOOD SCREW X 2" MINIMUM LENGTH FOR BRICK MOULD-TO-DOOR FRAME INSTALLATION
2. ALL ADDITIONAL FASTENING INCLUDING THE USE OF SEALANTS SHALL BE AT THE DISCRETION OF THE INSTALLER OR AS RECOMMENDED BY THE DOOR MANUFACTURER.



PROJECT #420-0601

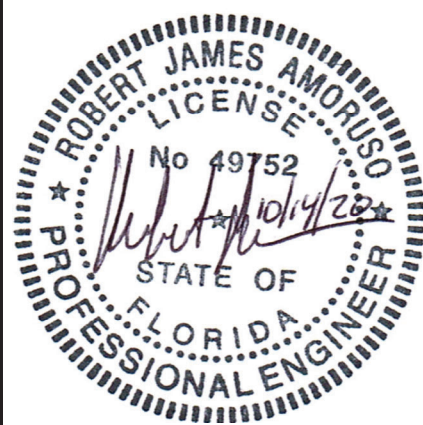
DSA Master Crafted Doors  
10681 World Trade Blvd  
Raleigh, NC 27617

TITLE: Complete Collection, Single and Double Doors, Inswing  
CONCRETE INSTALLATION - DETAILS 1 THRU 6

PREPARED BY: RJA  
DRAWN BY: RJA  
DATE: 10/10/2020  
SCALE: N.T.S.  
DRAWING NO.: DSA0006  
SHEET: 8 OF 19  
REV: ---

PTC PRODUCT DESIGN GROUP, LLC  
10000 WOODBRIDGE BLVD  
LONGWOOD, FLORIDA 32752  
PHONE: 321.690.1788  
FAX: 321.690.1789  
EMAIL: info@ptc-corp.com

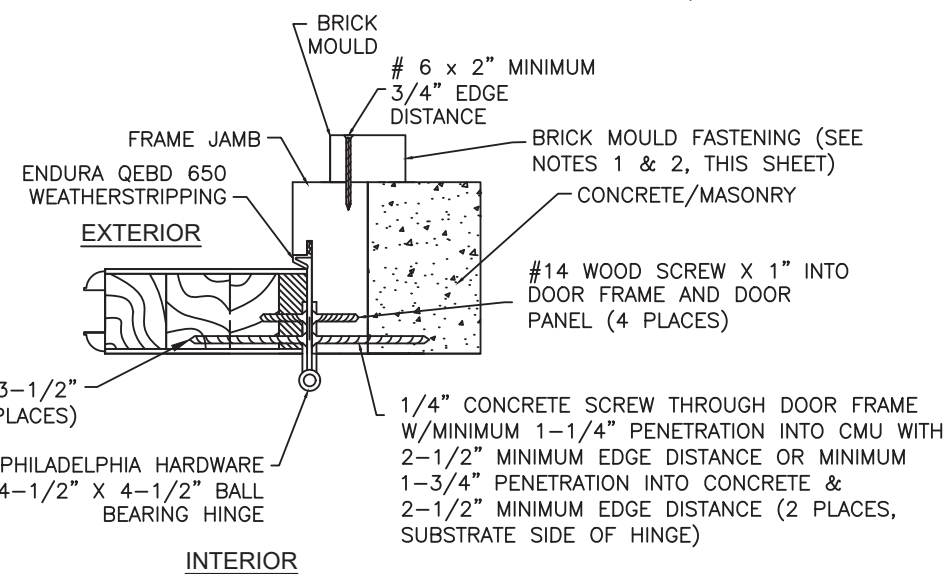
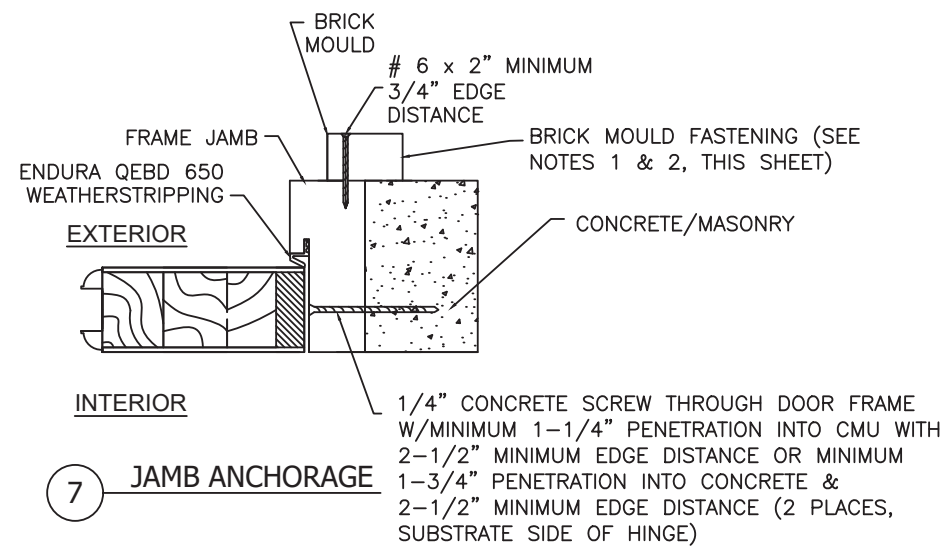
Robert J. Amoruso, P.E.  
Florida P.E. No. 49752





# DETAILS

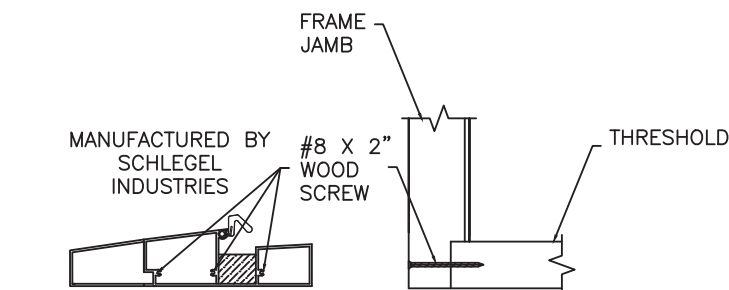
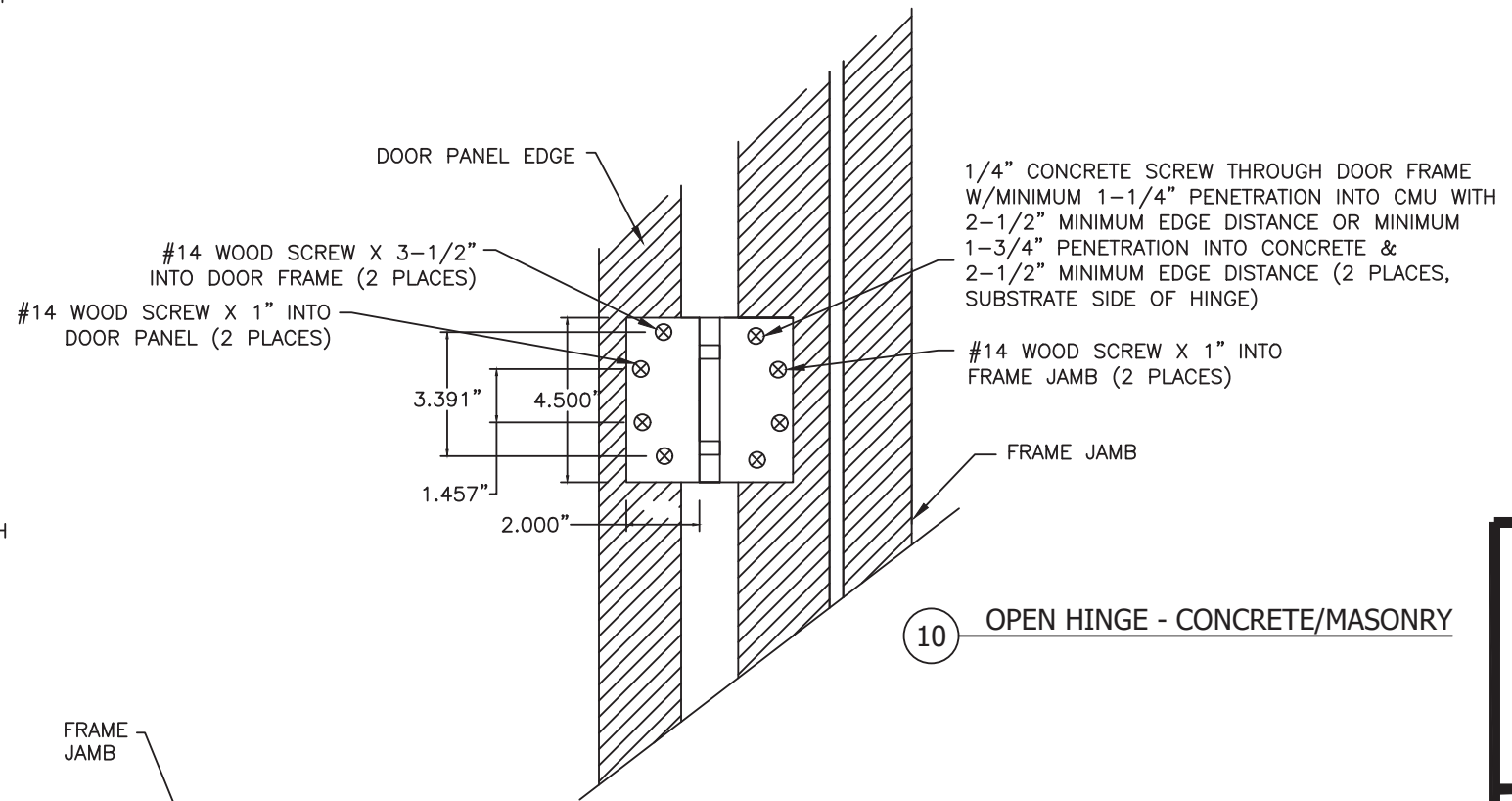
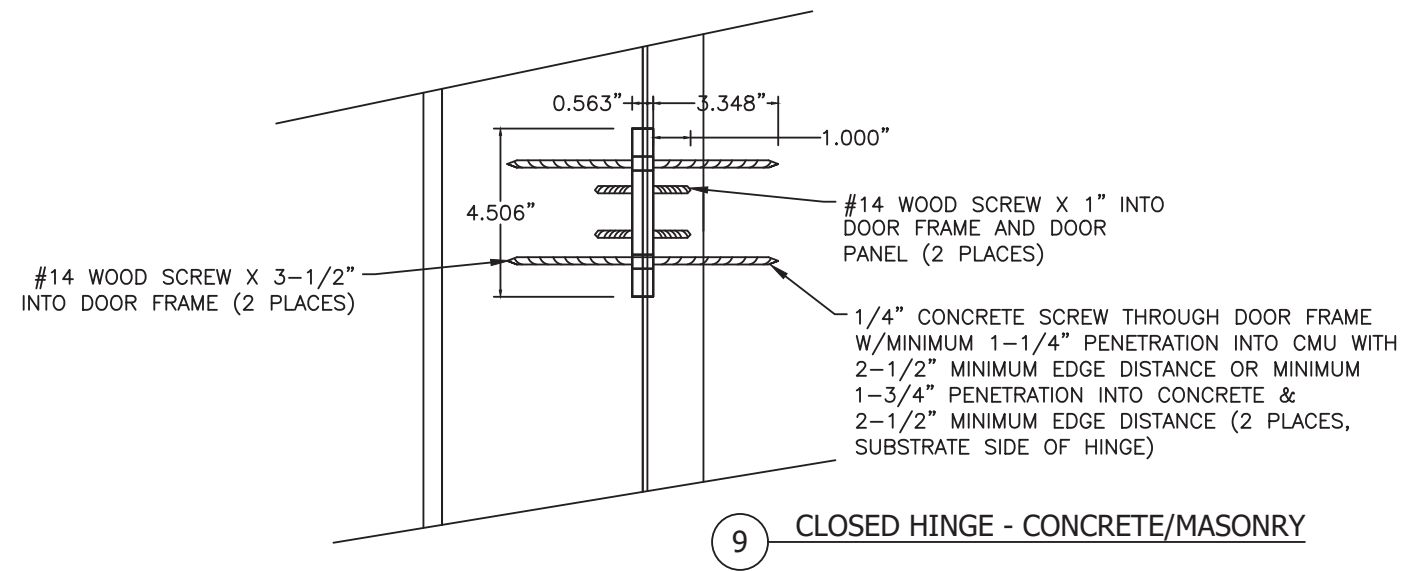
## CONCRETE/MASONRY INSTALLATION



**8 JAMB ANCHORAGE @ HINGE**

**NOTES:**

- BRICK MOULD INSTALLATION SHALL USE NO. 6 WOOD SCREW X 2" MINIMUM LENGTH FOR BRICK MOULD-TO-DOOR FRAME INSTALLATION
- ALL ADDITIONAL FASTENING INCLUDING THE USE OF SEALANTS SHALL BE AT THE DISCRETION OF THE INSTALLER OR AS RECOMMENDED BY THE DOOR MANUFACTURER.



**11 THRESHOLD TO FRAME DETAIL**

PROJECT #420-0601

DSA Master Crafted Doors  
10681 World Trade Blvd  
Raleigh, NC 27617

TITLE: Complete Collection, Single and Double Doors, Inswing  
CONCRETE/MASONRY INSTALLATION - DETAILS 7 THRU 11

PREPARED BY: RJA

DATE: 10/10/2020

DRAWING NO: DSA0006

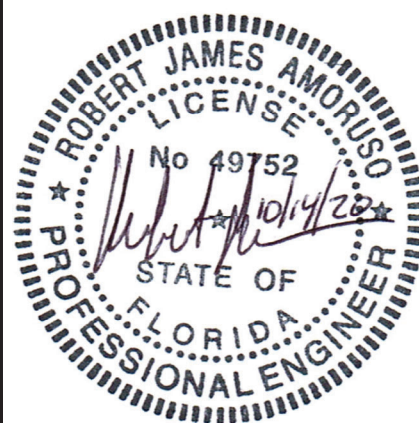
SCALE: N.T.S.

SHEET: 9 OF 19

REV: ---

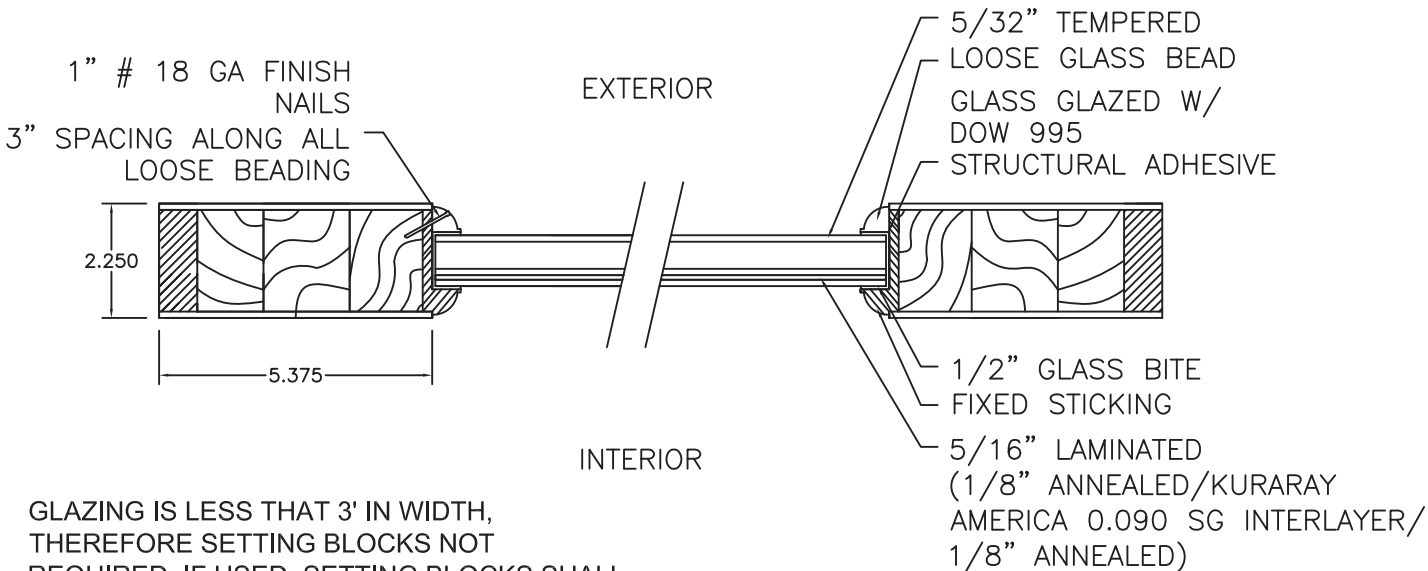
PTC PRODUCT DESIGN GROUP, LLC  
LONGWOOD, FLORIDA 32752  
PHONE: 321.690.1788  
FAX: 321.690.1789  
EMAIL: info@ptc-corp.com

Robert J. Amoruso, P.E.  
Florida P.E. No. 49752



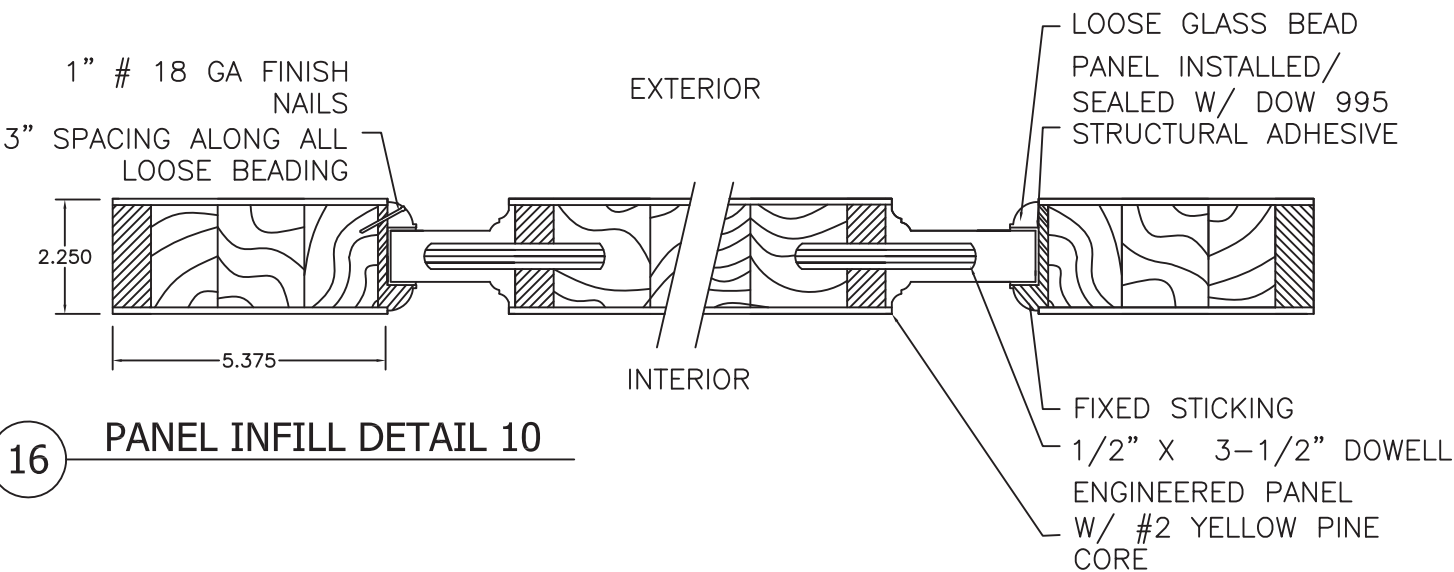
# DETAILS

## MISCELLANEOUS

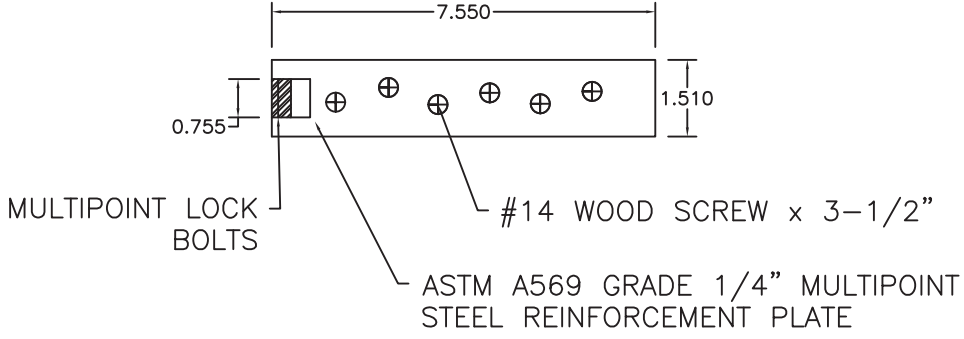


GLAZING IS LESS THAN 3' IN WIDTH, THEREFORE SETTING BLOCKS NOT REQUIRED. IF USED, SETTING BLOCKS SHALL BE NEOPRENE 70-90 SHORE A DUROMETER HARDNESS OR APPROVED EQUAL.

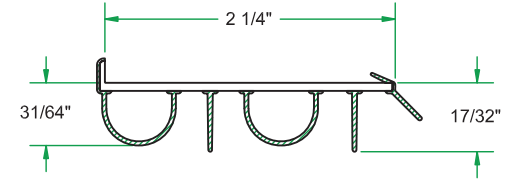
15 PANEL GLAZING DETAIL 9



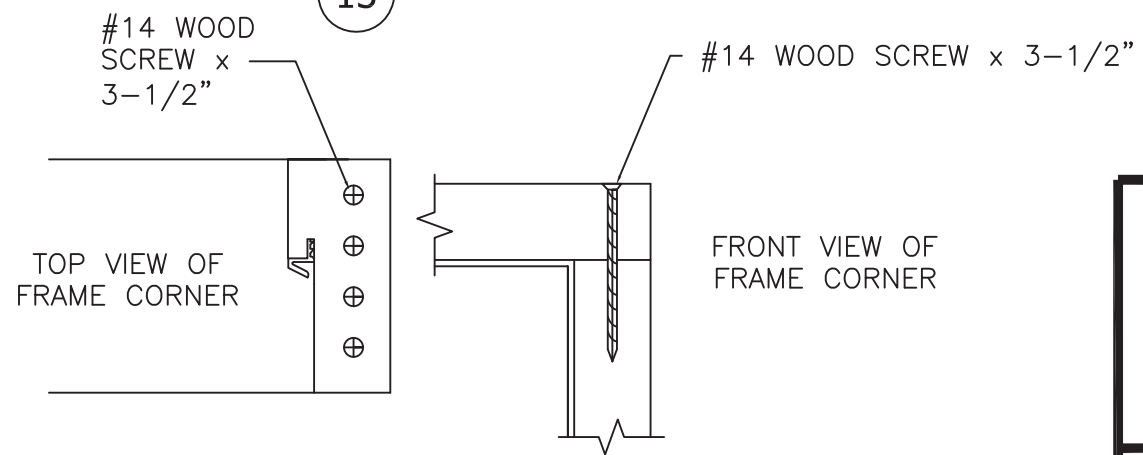
16 PANEL INFILL DETAIL 10



14 REINFORCEMENT PLATE AT MULTIPOINT LOCK



13 DBS-214 DOOR SWEEP

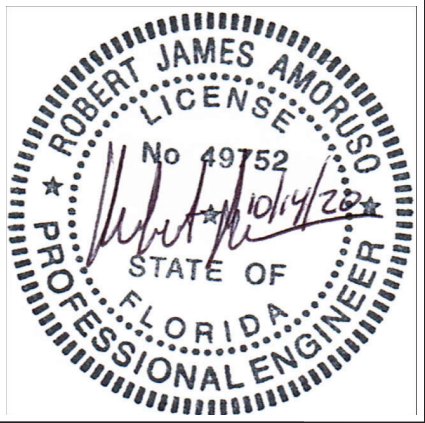


12 FRAME EDGE DETAIL

PROJECT #420-0601

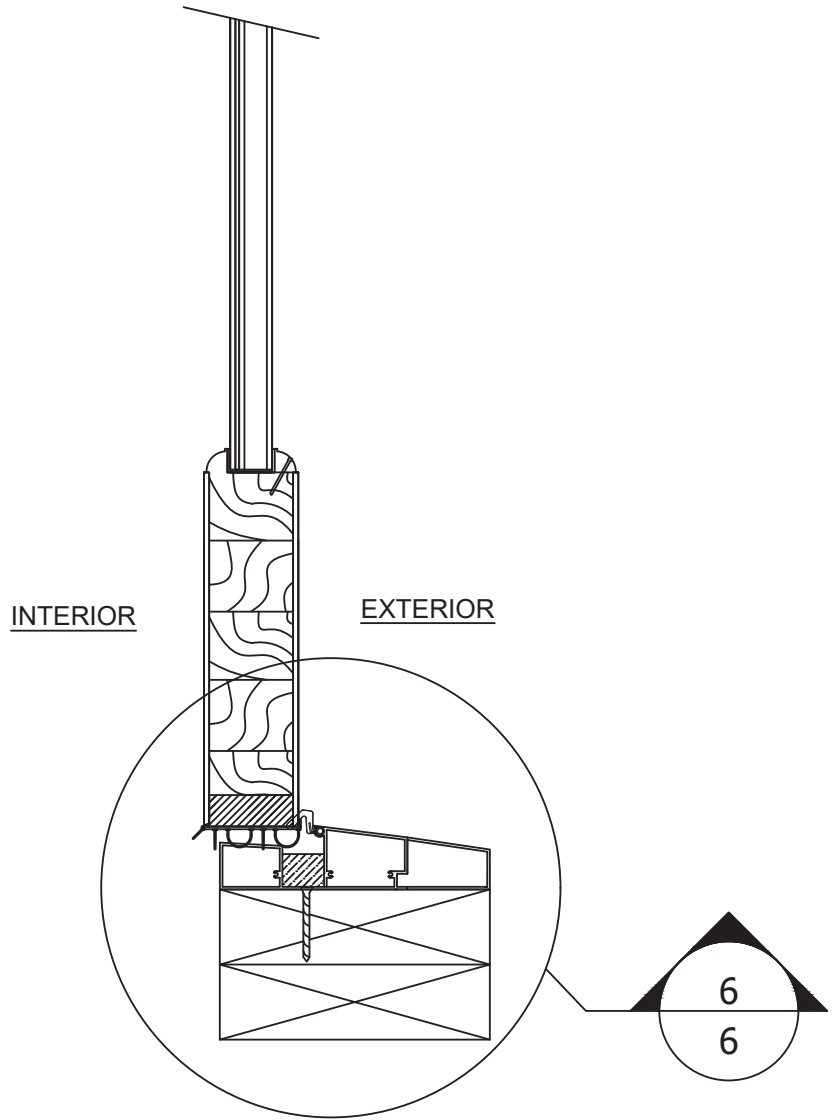
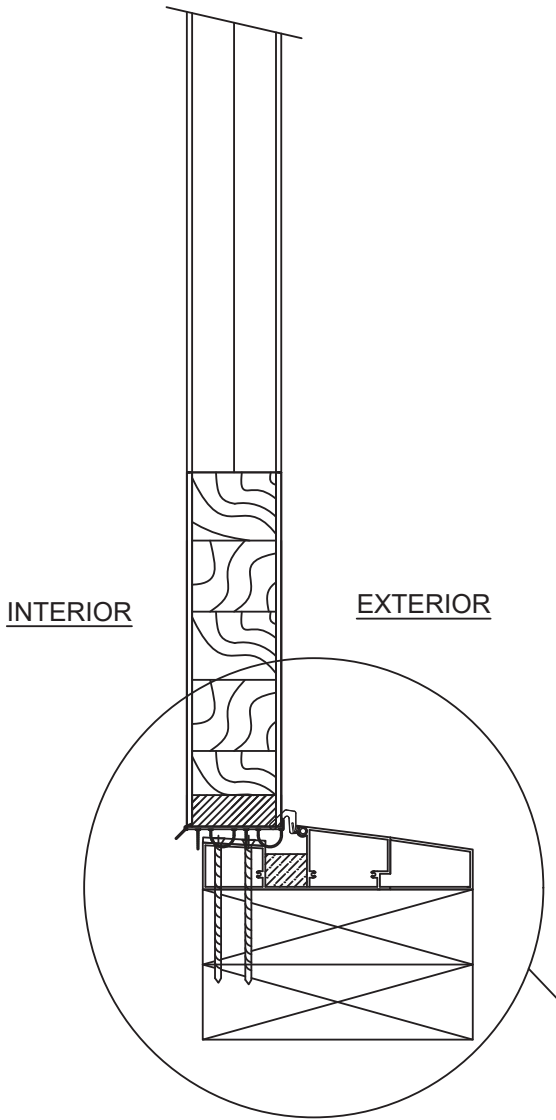
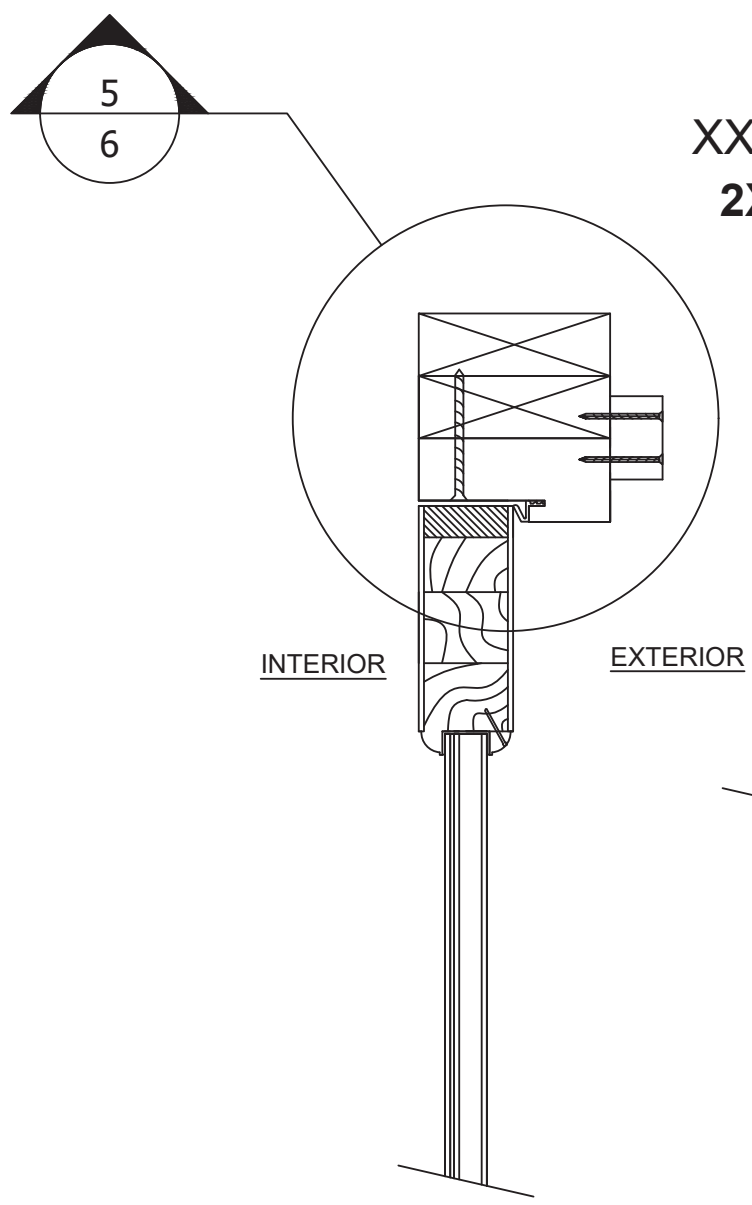
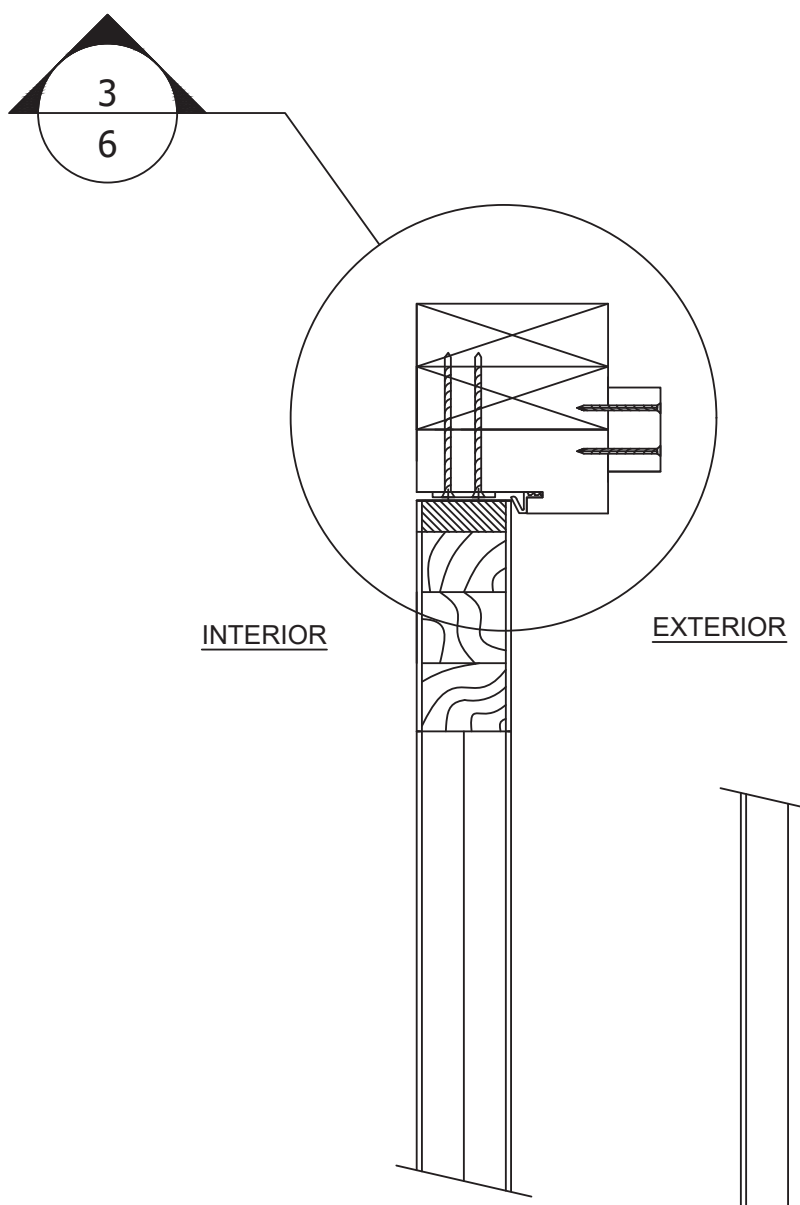
DSA Master Crafted Doors 10681 World Trade Blvd Raleigh, NC 27617	TITLE: Complete Collection, Single and Double Doors, Inswing DETAILS - MISCELLANEOUS	DRAWN BY: RJA	DATE: 10/10/2020
	PREPARED BY:	SCALE: N.T.S.	DRAWING NO: DSA0006
	PTC PRODUCT DESIGN GROUP, LLC PO BOX 520775 LONGWOOD, FLORIDA 32752 FBPE C.A. NO. 25935	REV:	SHEET: 10 OF 19
	PHONE: 321.690.1788 FAX: 321.690.1789 EMAIL: info@ptc-corp.com	REV:	SHEET: 10 OF 19

Robert J. Amoruso, P.E.  
Florida P.E. No. 49752



# SECTIONS

## XX DOOR VERTICAL VIEWS 2X WOOD BUCK/FRAMING INSTALLATION



**A** STILE DOOR SECTION  
WOOD SUBSTRATE INSTALLATION

**B** GLAZED DOOR SECTION  
WOOD SUBSTRATE INSTALLATION

PROJECT #420-0601

REV	DESCRIPTION	DATE	BY

**DSA Master Crafted Doors**  
 10681 World Trade Blvd  
 Raleigh, NC 27617

TITLE: Complete Collection, Single and Double Doors, Inswing  
 SECTIONS - VERTICAL - WOOD INSTALLATION

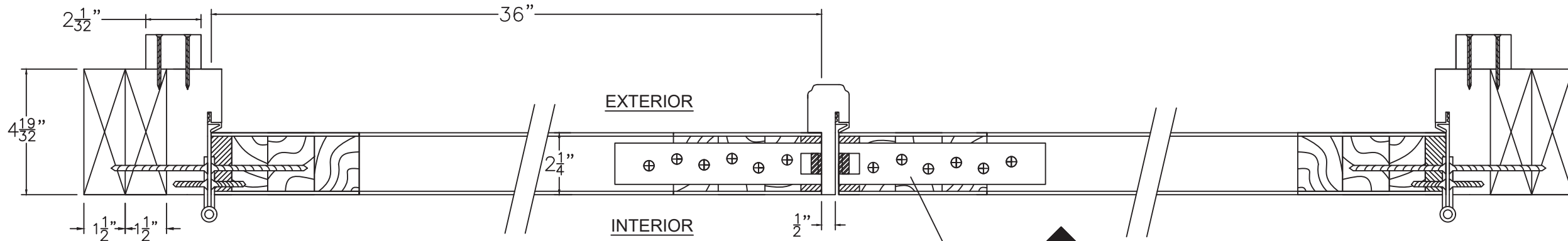
DRAWN BY: RJA  
 SCALE: N.T.S.  
 DATE: 10/10/2020  
 DRAWING NO.: DSA0006  
 SHEET: 11 OF 19

**PTC**  
 PTC PRODUCT DESIGN GROUP, LLC  
 LONGWOOD, FLORIDA 32752  
 FBPE C.A. NO. 25935  
 Phone: 321.690.1788  
 Fax: 321.690.1789  
 Email: info@ptc-corp.com

Robert J. Amoruso, P.E.  
 Florida P.E. No. 49752

# SECTIONS

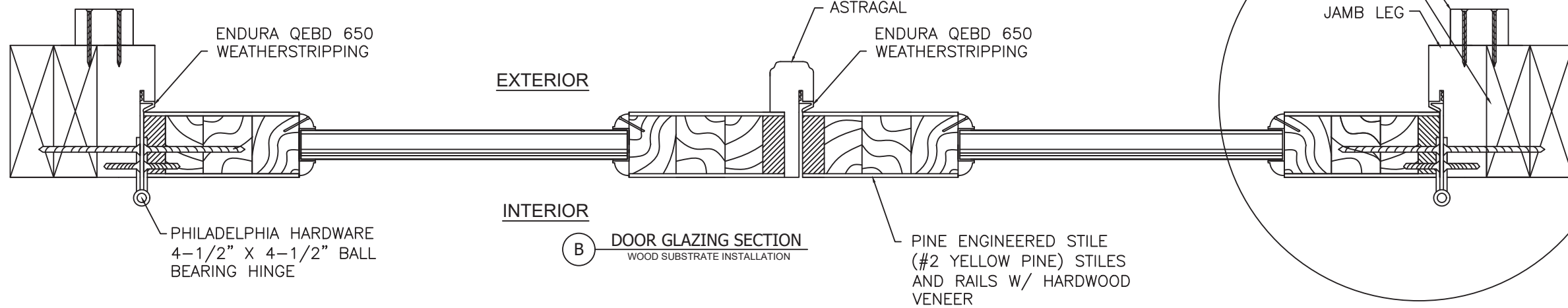
## XX DOOR HORIZONTAL VIEWS 2X WOOD BUCK/FRAMING INSTALLATION



(A) TOP RAIL SECTION  
WOOD SUBSTRATE INSTALLATION

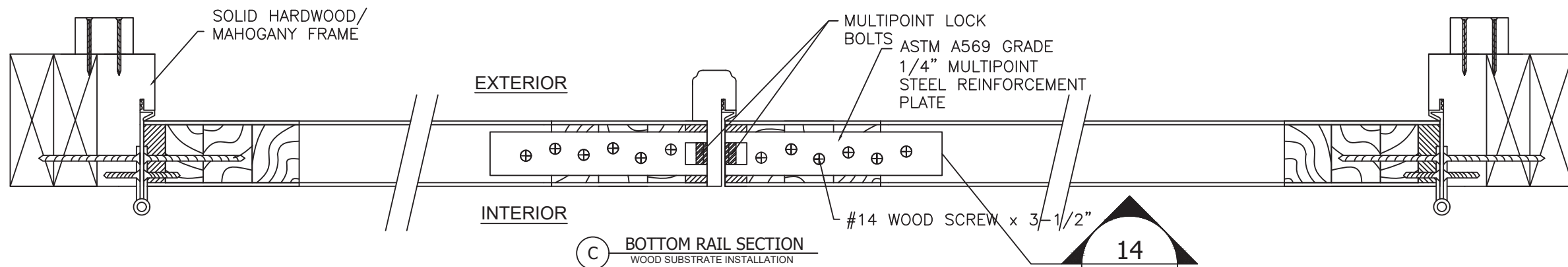
14  
10

8  
7



(B) DOOR GLAZING SECTION  
WOOD SUBSTRATE INSTALLATION

BRICK MOULD  
2X WOOD  
JAMB LEG



(C) BOTTOM RAIL SECTION  
WOOD SUBSTRATE INSTALLATION

14  
10

PROJECT #420-0601

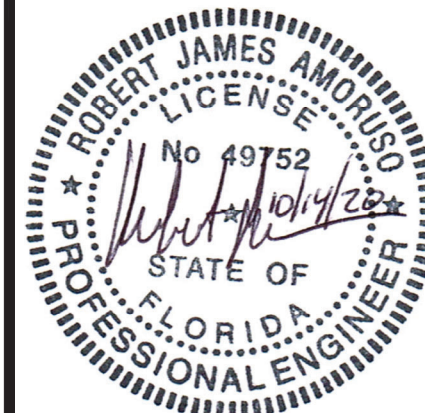
DSA Master Crafted Doors  
10681 World Trade Blvd  
Raleigh, NC 27617

TITLE: Complete Collection, Single and Double Doors, Inswing  
SECTIONS - HORIZONTAL - WOOD INSTALLATION

DATE:	10/10/2020
DRAWING NO.:	DSA0006
SCALE:	N.T.S.
REV.:	---
SHEET:	12 OF 19

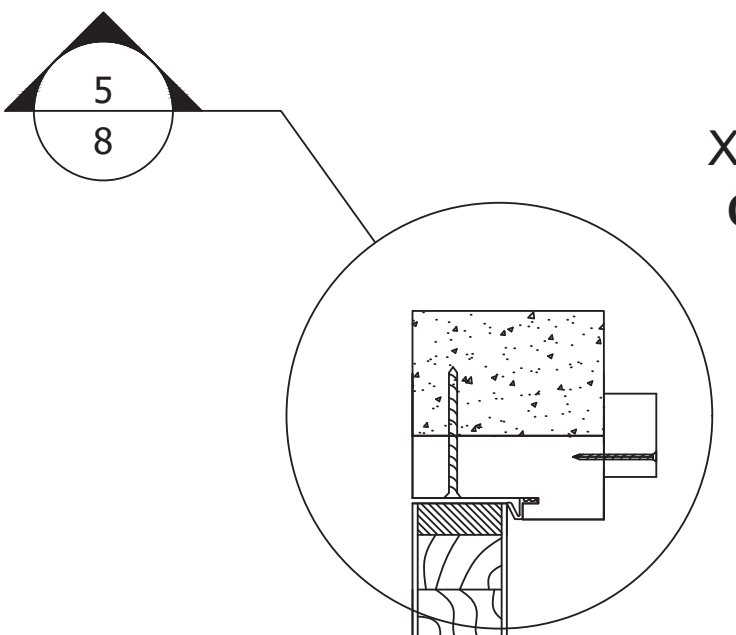
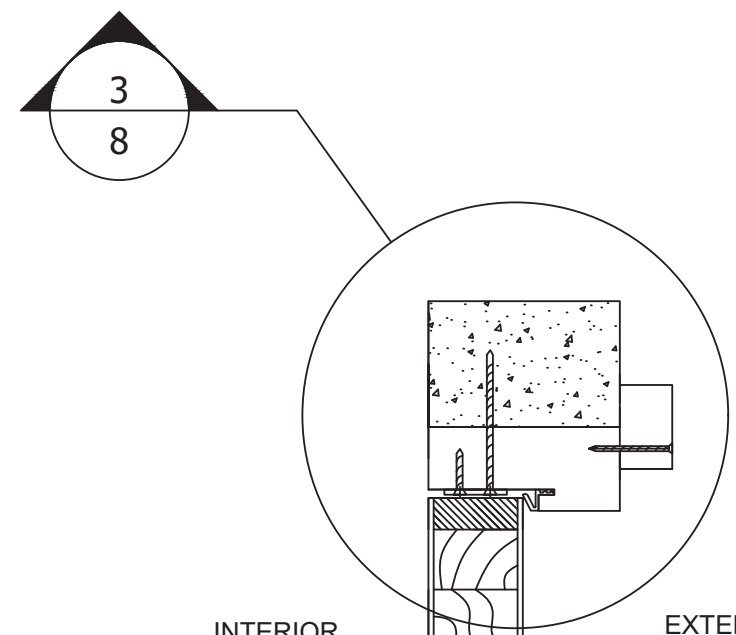
PTC PRODUCT DESIGN GROUP, LLC  
LONGWOOD, FLORIDA 32752  
FBPE C.A. NO. 29335  
Phone: 321.690.1788  
Fax: 321.690.1789  
Email: info@ptc-corp.com

Robert J. Amoruso, P.E.  
Florida P.E. No. 49752



# SECTIONS

## XX DOOR VERTICAL VIEWS CONCRETE INSTALLATION



INTERIOR

EXTERIOR

INTERIOR

EXTERIOR

INTERIOR

EXTERIOR

INTERIOR

EXTERIOR

4  
8

6  
8

**A** STILE DOOR SECTION  
CONCRETE/MASONRY SUBSTRATE  
INSTALLATION

**B** GLAZED DOOR SECTION  
CONCRETE/MASONRY SUBSTRATE  
INSTALLATION

PROJECT #420-0601

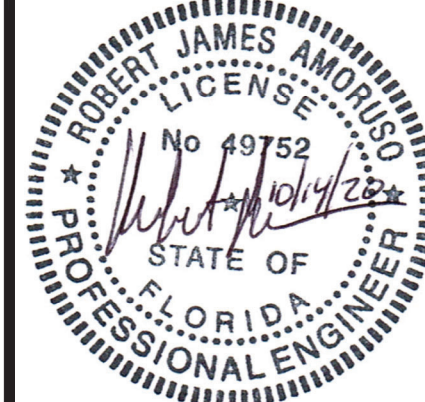
DSA Master Crafted Doors  
10681 World Trade Blvd  
Raleigh, NC 27617

TITLE: Complete Collection, Single and Double Doors, Inswing  
SECTIONS - VERTICAL - CONCRETE INSTALLATION

PREPARED BY: DATE: 10/10/2020  
DRAWN BY: RJA DRAWING NO: DSA0006  
SCALE: N.T.S. SHEET: 13 OF 19  
REV: ---

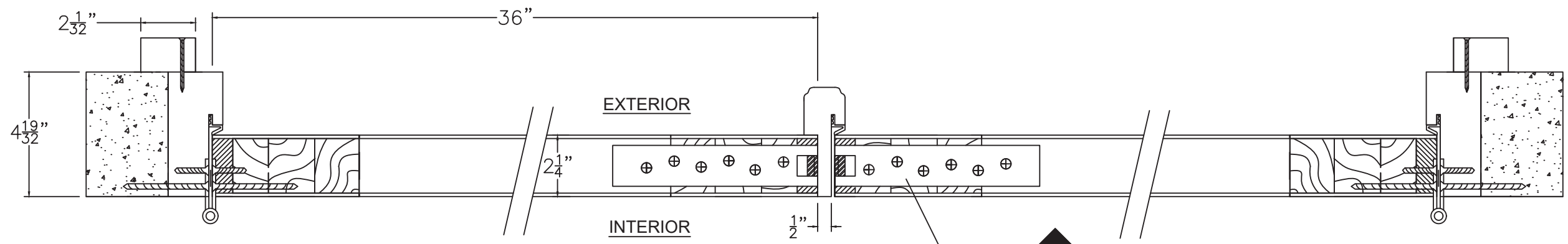


Robert J. Amoruso, P.E.  
Florida P.E. No. 49752



# SECTIONS

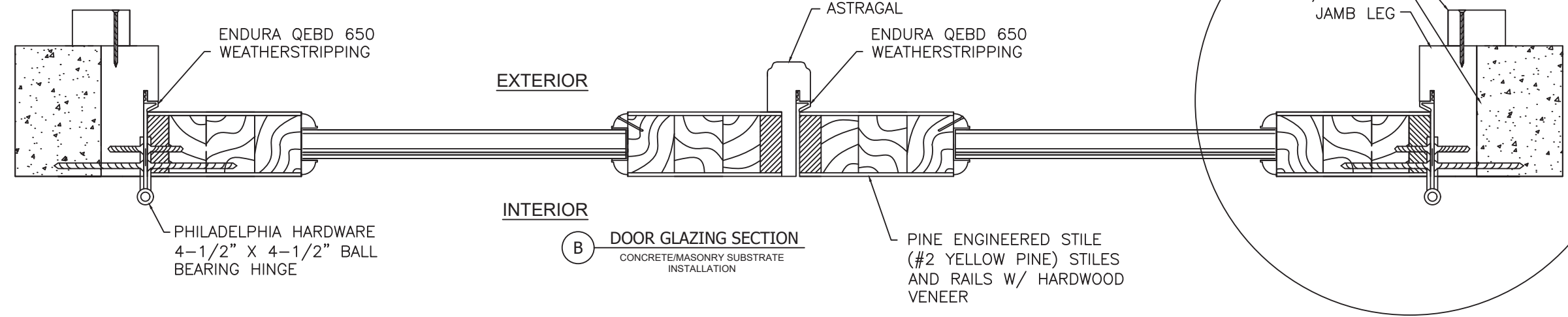
## XX DOOR HORIZONTAL VIEWS CONCRETE/MASONRY INSTALLATION



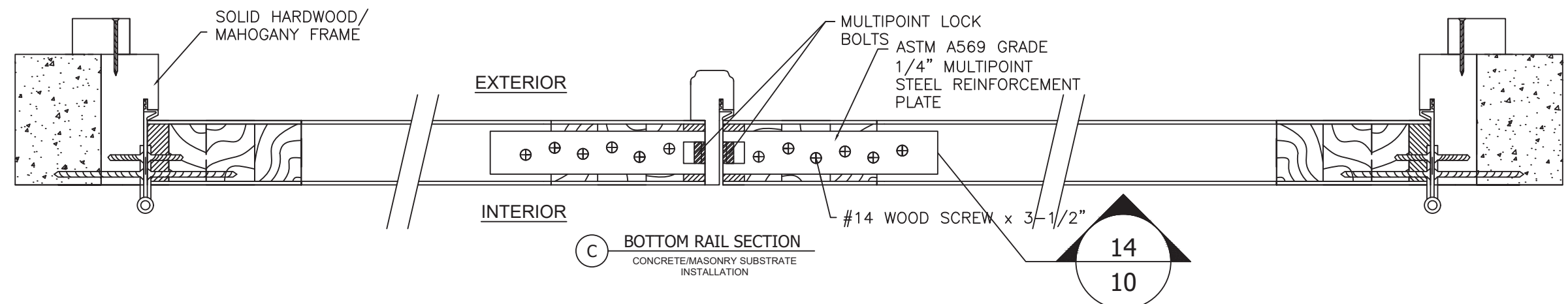
A TOP RAIL SECTION  
CONCRETE/MASONRY SUBSTRATE  
INSTALLATION

14  
10

8  
9



B DOOR GLAZING SECTION  
CONCRETE/MASONRY SUBSTRATE  
INSTALLATION



C BOTTOM RAIL SECTION  
CONCRETE/MASONRY SUBSTRATE  
INSTALLATION

14  
10

PROJECT #420-0601

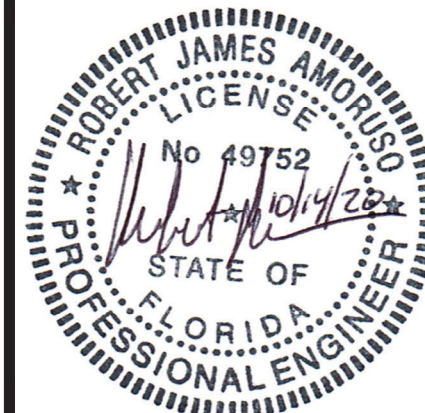
DSA Master Crafted Doors  
10681 World Trade Blvd  
Raleigh, NC 27617

TITLE: Complete Collection, Single and Double Doors, Inswing  
SECTIONS - HORIZONTAL - CONCRETE/MASONRY INSTALLATION

DATE:	10/10/2020
DRAWING NO.:	DSA0006
SCALE:	N.T.S.
REV.:	---
SHEET:	14 OF 19

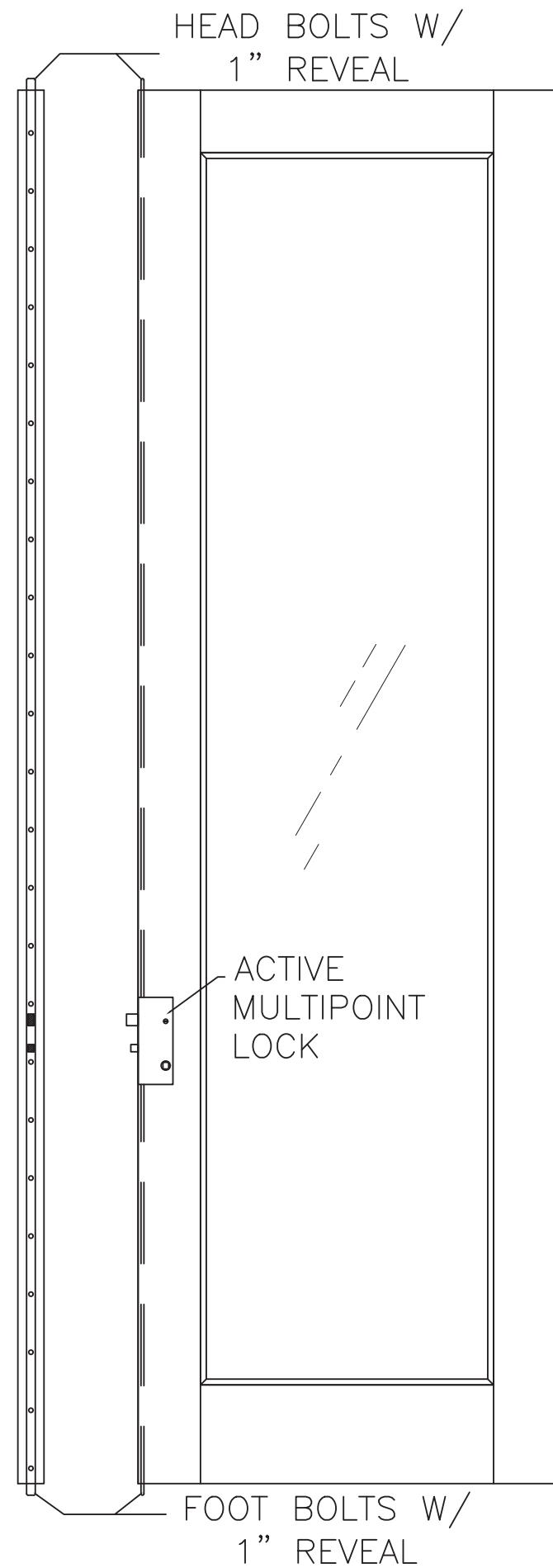
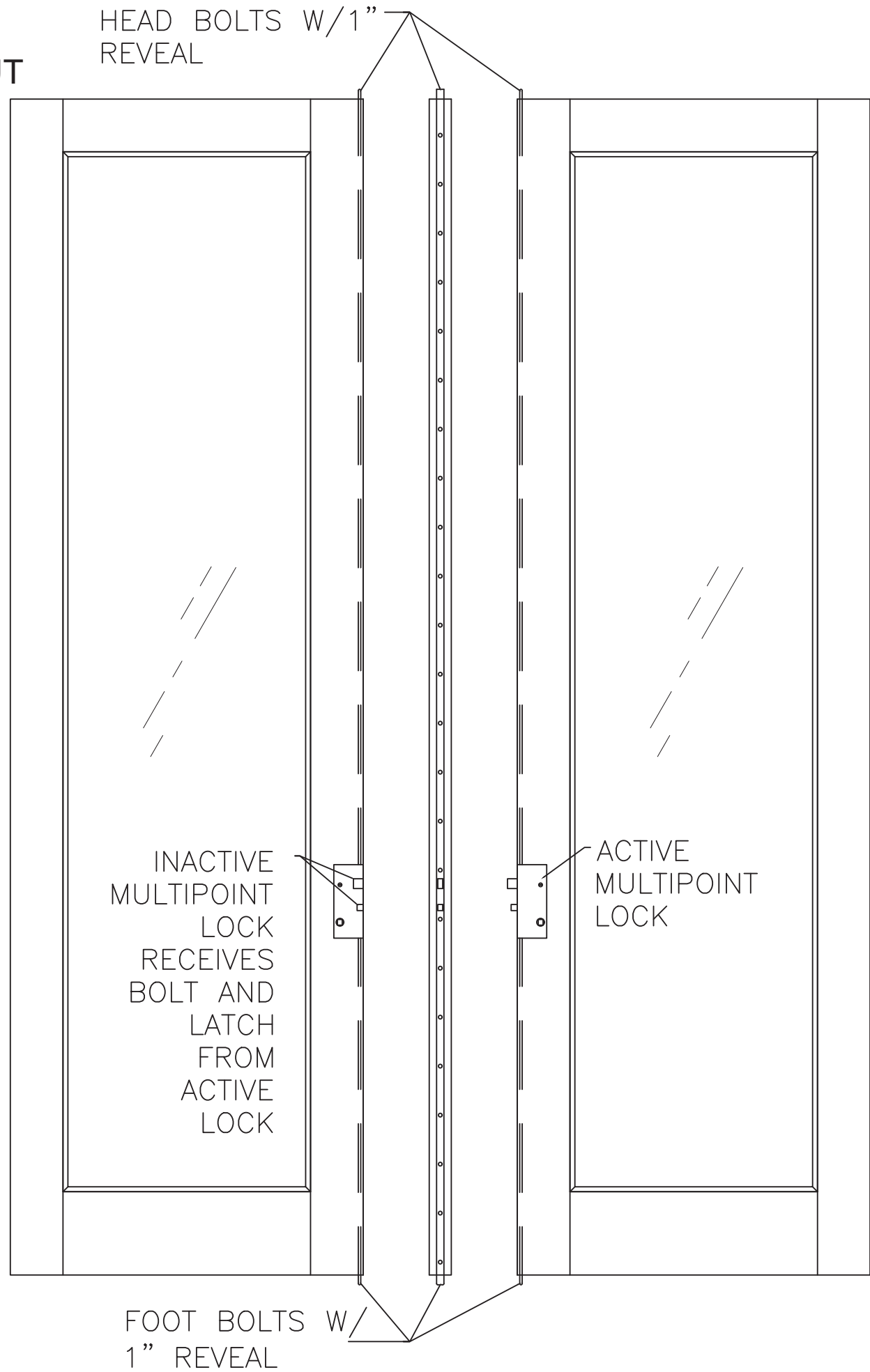


Robert J. Amoruso, P.E.  
Florida P.E. No. 49752



# DETAILS

MULTIPOINT LOCK LAYOUT  
(SEE SHEET 16 FOR  
LOCK DETAIL)



PROJECT #420-0601

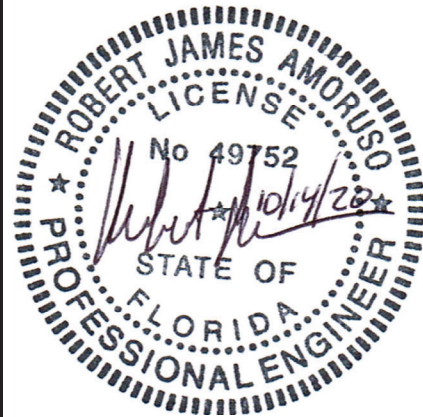
DSA Master Crafted Doors  
10681 World Trade Blvd  
Raleigh, NC 27617

TITLE: Complete Collection, Single and Double Doors, Inswing  
MULTIPOINT LOCK LAYOUT

PREPARED BY: ---  
DRAWN BY: RJA  
SCALE: N.T.S.  
DATE: 10/10/2020  
DRAWING NO.: DSA0006  
SHEET: 15 OF 19

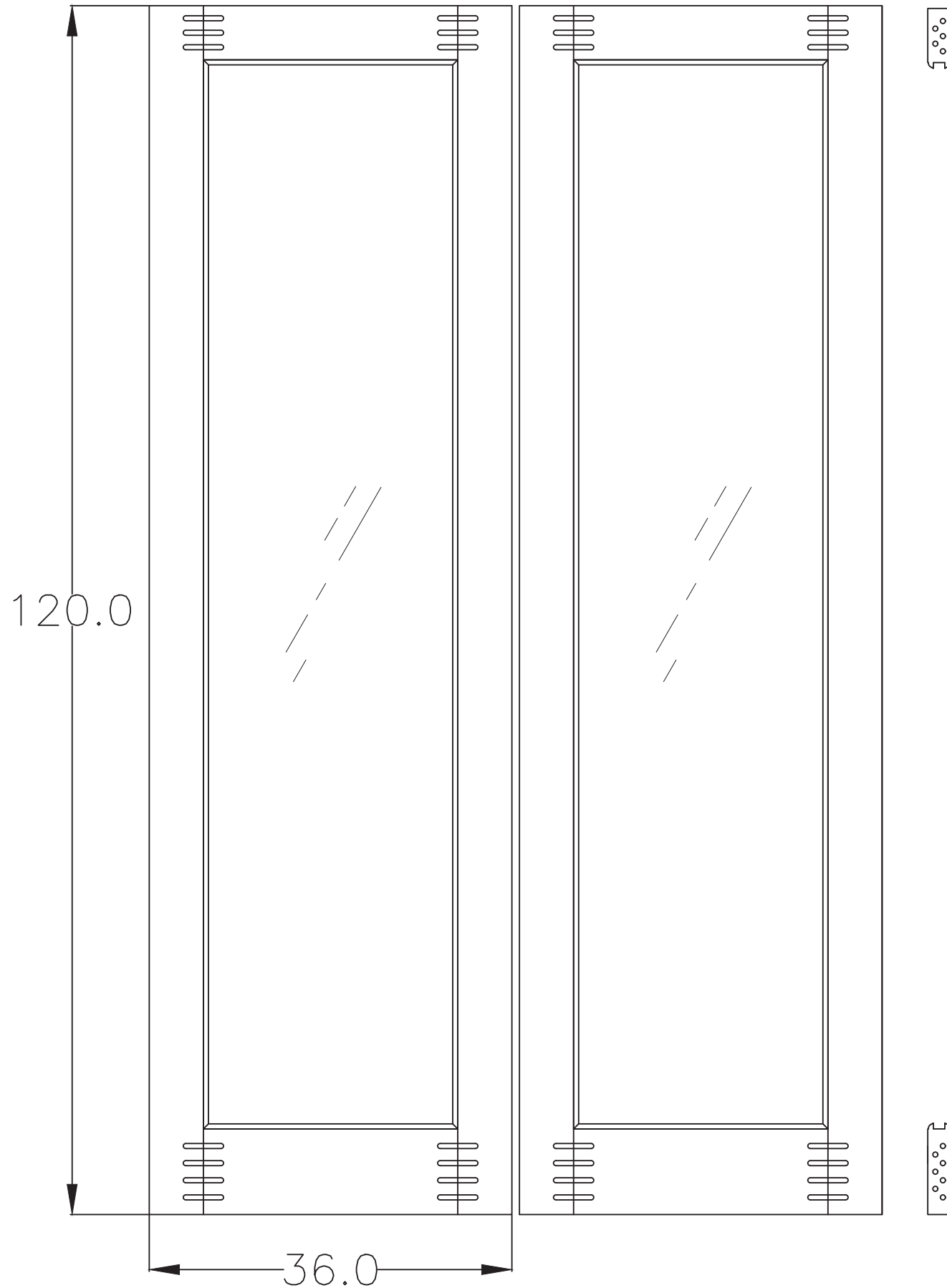


Robert J. Amoruso, P.E.  
Florida P.E. No. 49752



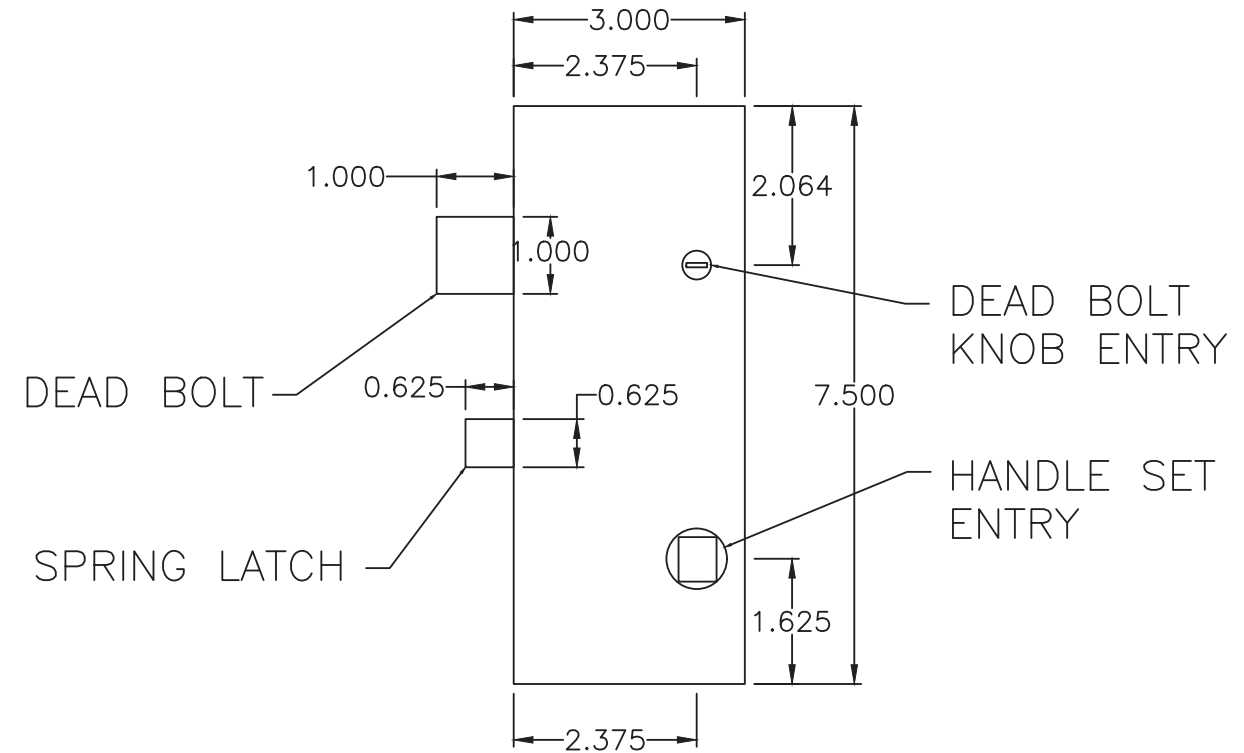
# DETAIL

## PANEL CONSTRUCTION - DOWEL LOCATION



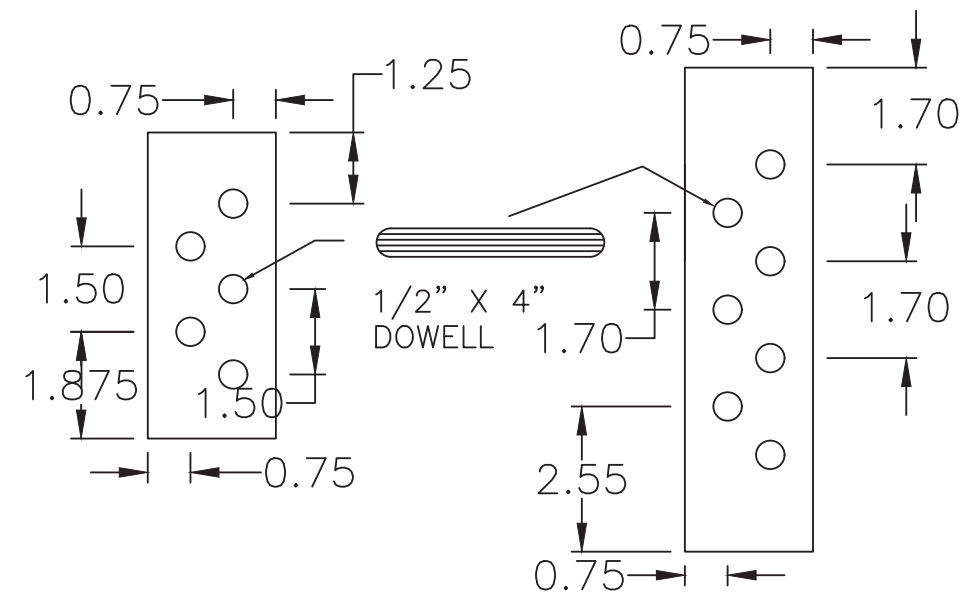
# DETAIL

## MULTIPOINT LOCK



# DETAIL

## PANEL CONSTRUCTION - DOWELS



PROJECT #420-0601

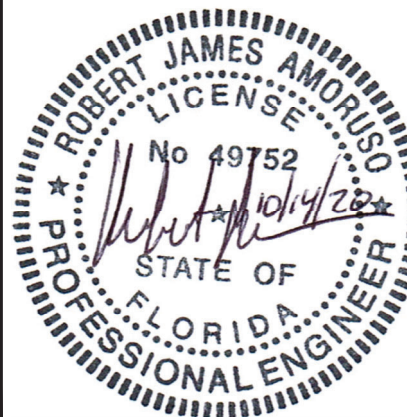
DSA Master Crafted Doors  
10681 World Trade Blvd  
Raleigh, NC 27617

TITLE: Complete Collection, Single and Double Doors, Inswing  
PANEL CONSTRUCTION - MULTIPOINT LOCK DETAIL

PREPARED BY: RJA  
SCALE: N.T.S.  
DATE: 10/10/2020  
DRAWING NO: DSA0006  
SHEET: 16 OF 19



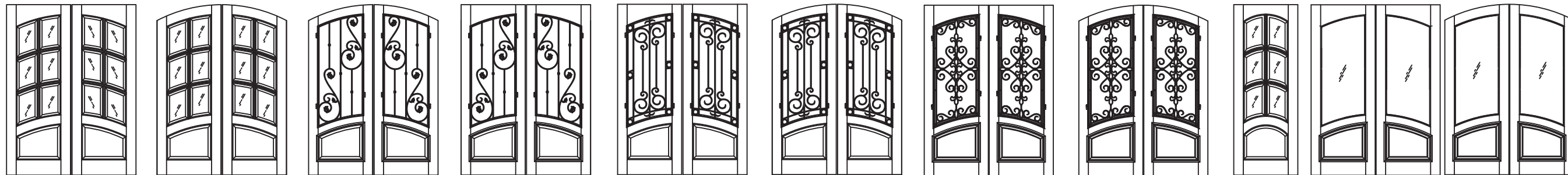
Robert J. Amoruso, P.E.  
Florida P.E. No. 49752



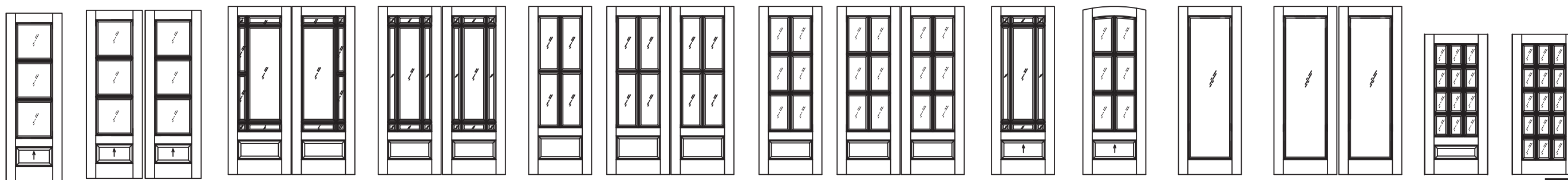


# APPROVED CONFIGURATIONS

MAXIMUM FRAME, DOOR PANEL AND D.L.O. SIZES SHOWN ON SHEET 2 MUST BE MET.



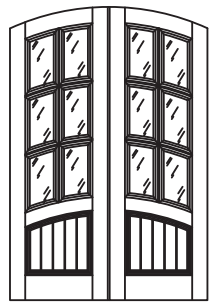
Aberdeen



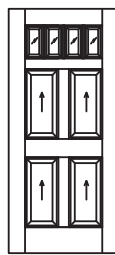
Alexandria



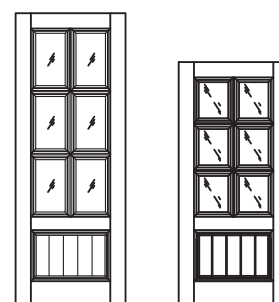
Hampshire



Keowee



Louisburg



Oconee

PROJECT #420-0601

REV	DESCRIPTION	DATE	BY

DSA Master Crafted Doors  
10681 World Trade Blvd  
Raleigh, NC 27617

TITLE: Complete Collection, Single and Double Doors, Inswing

PREPARED BY: APPROVED CONFIGURATIONS

DRAWN BY: RJA  
SCALE: N.T.S.  
REV: ---

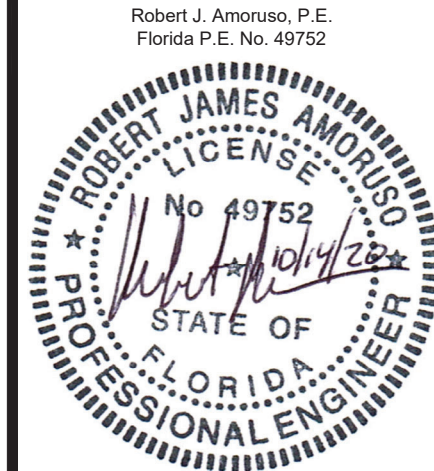
DATE: 10/10/2020

DRAWING NO: DSA0006

SHEET: 17 OF 19

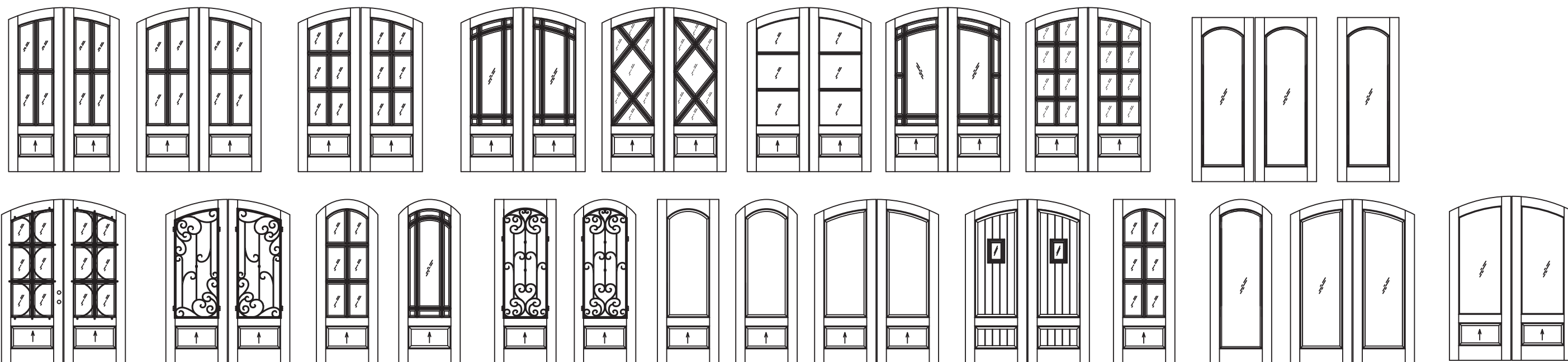


PTC PRODUCT DESIGN GROUP, LLC  
LONGWOOD, FLORIDA 32752  
PHONE: 321.690.1788  
FAX: 321.690.1789  
EMAIL: info@ptc-corp.com

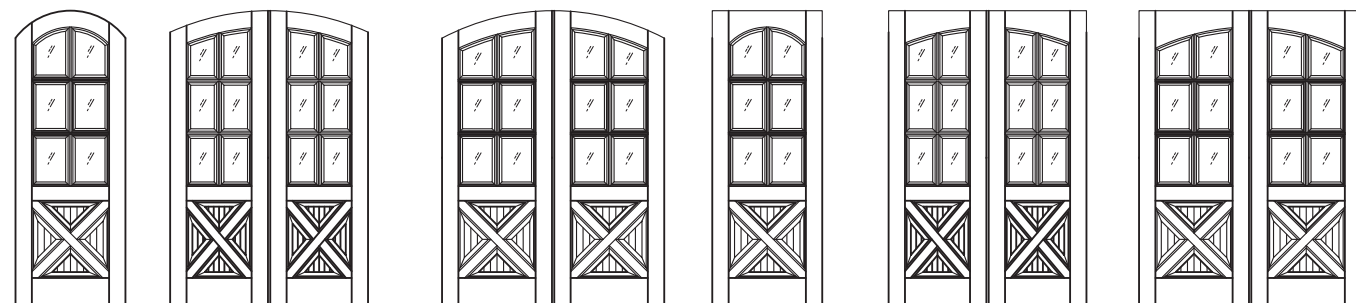


# APPROVED CONFIGURATIONS

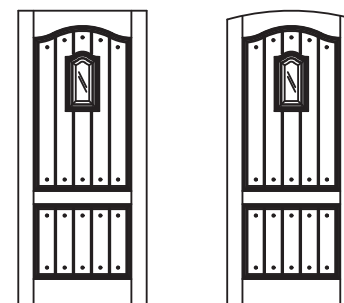
MAXIMUM FRAME, DOOR PANEL AND D.L.O. SIZES SHOWN ON SHEET 2 MUST BE MET.



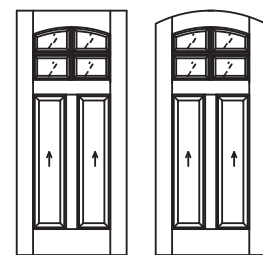
Tiffany



Havasu



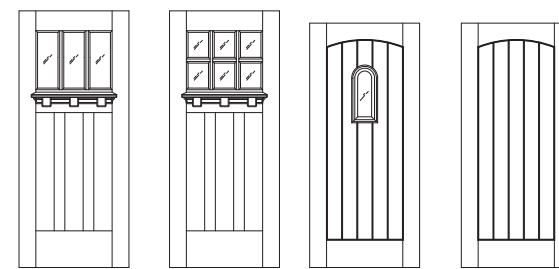
Kenmure



Lakewood



Linville



Tuscany

PROJECT #420-0601

REV	DESCRIPTION	DATE	BY

DSA Master Crafted Doors  
10681 World Trade Blvd  
Raleigh, NC 27617

TITLE: Complete Collection, Single and Double Doors, Inswing  
APPROVED CONFIGURATIONS

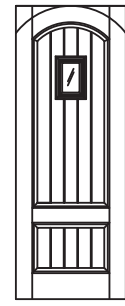
PREPARED BY: RJA  
DRAWN BY: RJA  
DATE: 10/10/2020  
SCALE: N.T.S.  
DRAWING NO.: DSA0006  
REV: ---  
SHEET: 18 OF 19

PTC PRODUCT DESIGN GROUP, LLC  
10000 W. BOYD AVE. SUITE 300  
LONGWOOD, FLORIDA 32752  
PHONE: 321.690.1788  
FAX: 321.690.1789  
EMAIL: info@ptc-corp.com  
FBPE C.A. NO. 25935

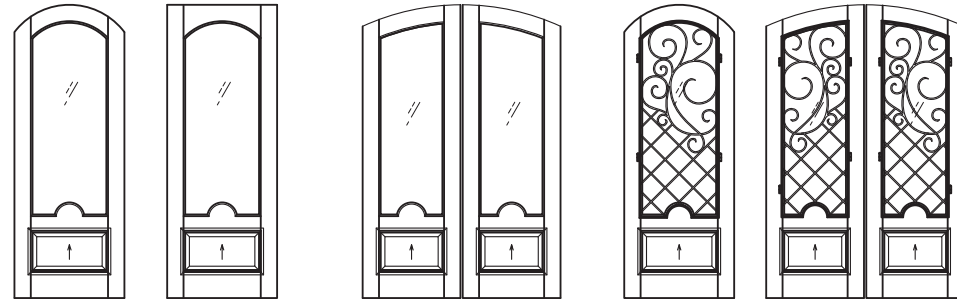
Robert J. Amoruso, P.E.  
Florida P.E. No. 49752

# APPROVED CONFIGURATIONS

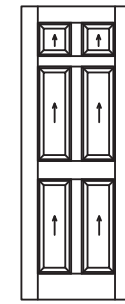
MAXIMUM FRAME, DOOR PANEL AND D.L.O. SIZES SHOWN ON SHEET 2 MUST BE MET.



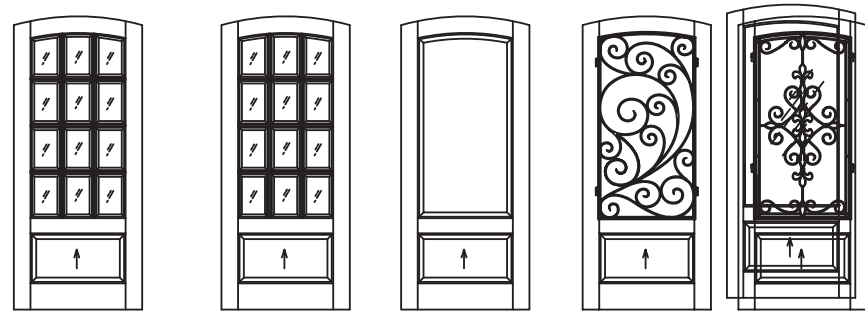
Briarcliff



Marseille



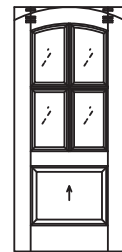
Colonial



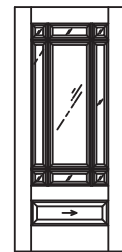
Trinity



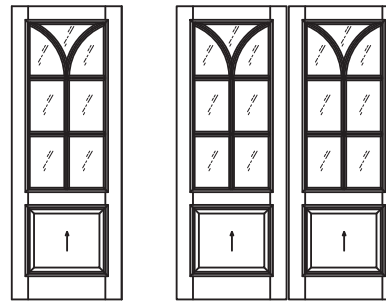
Wakefield



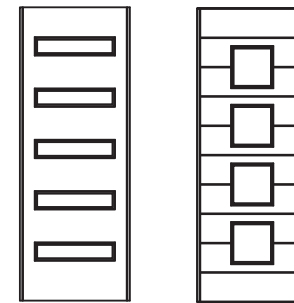
Brentwood



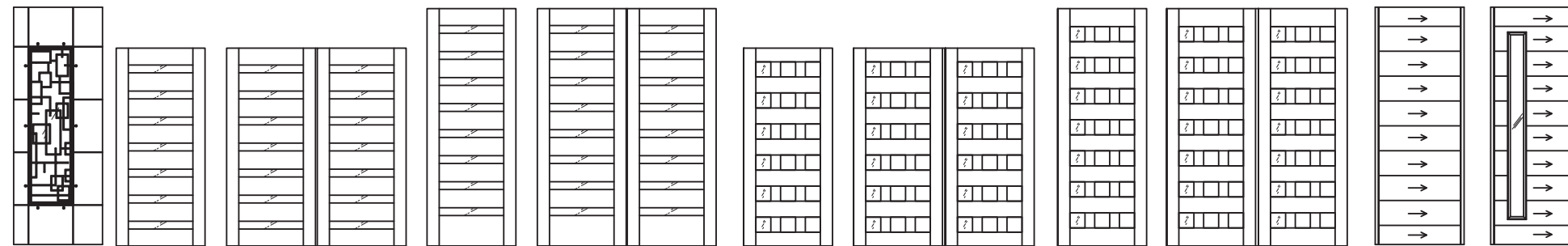
Madison



Seville



Urban



Milan

PROJECT #420-0601

DSA Master Crafted Doors  
10681 World Trade Blvd  
Raleigh, NC 27617

TITLE: Complete Collection, Single and Double Doors, Inswing  
APPROVED CONFIGURATIONS

DRAWN BY:	RJA	DATE:	10/10/2020
SCALE:	N.T.S.	DRAWING NO.:	DSA0006
REV:	---	SHEET:	19 OF 19

PTC PRODUCT DESIGN GROUP, LLC  
LONGWOOD, FLORIDA 32752  
FBPE C.A. NO. 25935  
Phone: 321.690.1788  
Fax: 321.690.1789  
Email: info@ptc-corp.com

Robert J. Amoruso, P.E.  
Florida P.E. No. 49752

